



Mecaline Chains, Sprockets and Platewheels Catalogue



Exclusively distributed by Rubix - www.rubix.com

RUBIX

Contents

Chains _____ 4

BS simplex	5
BS duplex.....	7
BS triplex	9
BS stainless steel - simplex.....	11
BS stainless steel - duplex	12
Ansi chain - simplex.....	13
Ansi chain - duplex	14
Straight side plate chain - simplex	15
Straight side plate chain - duplex.....	16
Straight side plate chain - triplex	17

Sprockets selection guide _____ 18

Pilot bore, taper bush and platewheel quick reference table__ 19

Sprockets (pilot bored) _____ 20

04B	21
05B	22
06B	23
08B	24
10B	25
12B	26
16B	27
20B	28
24B	29
28B	30
32B	31
Chain idlers	32

Sprockets (taper bored) _____ 33

06B	34
08B	35
10B	36
12B	37
16B	38
20B	39

Platewheels _____ 40

04B	41
05B	42
06B	43
08B	44
10B	45
12B	46
16B	47
20B	48
24B	49
28B	50
32B	51

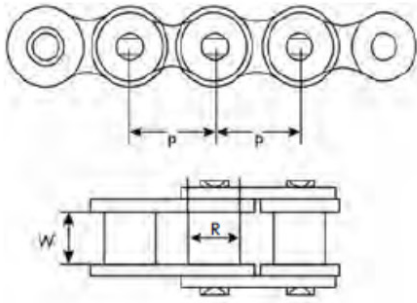
Hardened teeth sprockets (pilot and taper bore) _____ 52

Installation, fitting, and removal of taper bushes to pulleys and sprockets _____ 54

Mecaline Chains

Mecaline chains are made to meet the highest specification and confirm to (DIN 8187-ISO606) standard. Made from carbon or stainless steel. Available in BS (British Standard) and ANSI (American Standard).

The chains are designed to provide high levels of performance across a wide range of industrial applications with heat treated components to ensure high durability. With added advantage of chains being pre stretched to further increase chains usable service life.



Chain is determined by:

- Its pitch (P)
- The width between the inner plates (W)
- The roller diameter
- The number of strands (simplex, duplex, triplex etc.)
- Its ISO NORM e.g. British or American Standard (BS or ASA)

ISO no.	Pitch mm (P)	Pitch inches (P)	Inside width (W)	Roller diameter (R)
06B	9.52 mm	3/8"	5.72	6.35
08B	12.70 mm	1/2"	7.75	8.51
10B	15.87 mm	5/8"	9.65	10.16
12B	19.05 mm	3/4"	11.68	12.07
16B	25.40 mm	1"	17.02	15.88
20B	31.75 mm	1" 1/4	19.56	19.05
24B	38.10 mm	1" 1/2	25.40	25.40
32B	50.80 mm	2"	30.99	29.21

ISO no.	Average breaking load
06B-1	10.5 kN
08B-1	20.5 kN
10B-1	27.5 kN
12B-1	32.5 kN
16B-1	71 kN
20B-1	107 kN
08B-2	37 kN
10B-2	53.8 kN
12B-2	65.3 kN
16B-2	128.3 kN

Conn link type

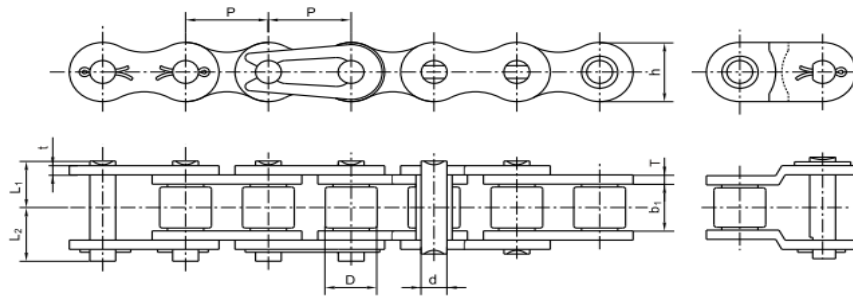
Simplex	Type of pin	Duplex	Type of pin	Triplex	Type of pin
04B1	Circlip type	-	-	-	-
05B1	Circlip type	-	-	-	-
06B1	Circlip type	06B2	Circlip type	06B3	Circlip type
08B1	Circlip type	08B2	Circlip type	08B3	Circlip type
10B1	Circlip type	10B2	Circlip type	10B3	Circlip type
12B1	Circlip type	12B2	Circlip type	12B3	Circlip type
16B1	Circlip type	16B2	Circlip type	16B3	Circlip type
20B1	Cotter pin	20B2	Cotter pin	20B3	Cotter pin
24B1	Cotter pin	24B2	Cotter pin	24B3	Cotter pin
28B1	Cotter pin	28B2	Cotter pin	28B3	Cotter pin
32B1	Cotter pin	32B2	Cotter pin	32B3	Cotter pin



Chains



Dimensions



	Roller between inner plates			Roller dia	Pin dia			Inner plate depth	Plate thickness	Min tensile strength	Average tensile strength	Weight per metre
	Pitch	P (mm)	b1 min (mm)	D max (mm)	d (mm)	L1 (mm)	L2 (mm)	h (mm)	t/T (mm)	Q min kN	Q0 kN	q kg/m
04B1	6x2.8mm	6.00	2.80	4.00	1.85	4.00	-	5.00	0.60	3.00	3.60	0.12
05B1	8x3mm	8.00	3.00	5.00	2.31	3.90	4.80	7.10	0.75	4.40	5.90	0.39
06B1	3/8"	9.525	5.72	6.35	3.28	6.27	7.23	8.20	1.0/1.27	8.90	10.50	0.39
081A	1/2"	12.70	3.30	7.75	3.66	-	-	9.91	1.00	8.20	9.84	0.29
083A	1/2"	12.70	2.38	7.75	3.66	-	-	9.91	-	10.00	12.00	0.27
084A	1/2"	12.70	4.88	7.75	4.09	-	-	10.30	1.27	12.00	14.40	0.43
08B1	1/2"	12.70	7.75	8.51	4.45	8.50	9.90	11.80	1.65	17.80	20.50	0.75
10B1	5/8"	15.87	9.65	10.16	5.08	9.60	10.90	14.60	1.65	22.20	27.50	0.95
12B1	3/4"	19.05	11.68	12.07	5.72	11.00	12.40	16.00	1.80	28.90	32.50	1.22
16B1	1"	25.40	17.02	15.88	8.28	17.65	19.05	20.90	3.2/4	60.00	71.00	2.80
20B1	1 1/4"	31.75	19.56	19.05	10.19	20.20	23.80	26.00	3.6/4.5	95.00	107.00	3.90
24B1	1 1/2"	38.10	25.40	25.40	14.63	26.65	31.05	33.00	5/6	160.00	178.00	7.13
28B1	1 3/4"	44.45	30.95	27.94	15.90	32.55	36.45	37.00	7.0/6.0	355.00	240.00	9.36
32B1	2"	50.80	30.99	29.21	17.81	32.80	37.20	42.30	8.5/8.0	560.00	300.00	9.94

Links

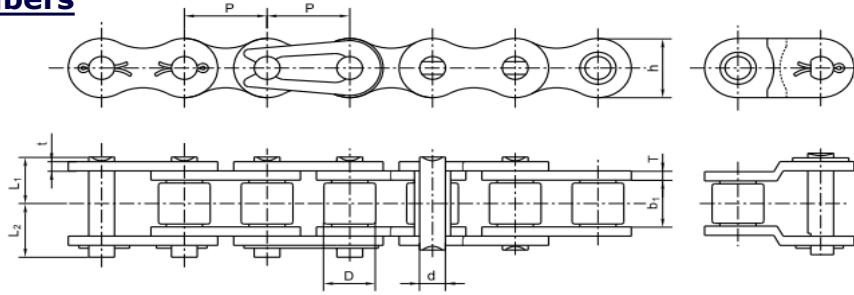


Conn links		
		RE code
04B1	MDJ.04B1	883744
05B1	MDJ.05B1	883747
06B1	MDJ.06B1	856161
081A	MDJ.081U	883755
083A	MDJ.083U	883757
084A	MDJ.084U	883759
08B1	MDJ.08B1	856162
10B1	MDJ.10B1	856163
12B1	MDJ.12B1	856164
16B1	MDJ.16B1	856165
20B1	MDJ.20B1	856166
24B1	MDJ.24B1	875349
28B1	MDJ.28B1	883786
32B1	MDJ.32B1	883795

Crank links		
		RE code
04B1	MCS.04B1	883743
05B1	MCS.05B1	883746
06B1	MCS.06B1	856173
081A	MCS.081A	883754
083A	MCS.083A	883756
084A	MCS.084A	883758
08B1	MCS.08B1	856174
10B1	MCS.10B1	856175
12B1	MCS.12B1	856176
16B1	MCS.16B1	856177
20B1	MCS.20B1	856178
24B1	MCS.24B1	875355
28B1	MCS.28B1	883785
32B1	MCS.32B1	883794

Hero products (always available from stock)

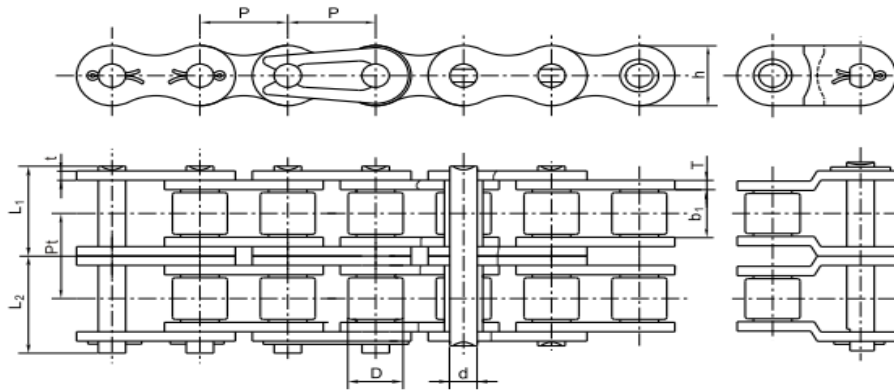
Chain part numbers



	Code for 1mtr (supplied as 5mtr boxes)		Code for 25mtr rolls		Code for 50mtr rolls	
	Description	RE code	Description	RE code	Description	RE code
04B1	CHAIN PITCH 6 SINGLE - MTR	886827	-	-	-	-
05B1	CHAIN PITCH 8 SINGLE - MTR	886826	-	-	-	-
06B1	CHAIN PITCH 9,52 SINGLE - MTR	886778	-	-	CHAIN PITCH 9,52 SIMPLE - 50 METRES REEL	884962
084A	CHAIN PITCH 12,7 SINGLE - MTR	886830	-	-	-	-
083A	CHAIN PITCH 12,7 SINGLE - MTR	886829	-	-	-	-
081A	CHAIN PITCH 12,7 SINGLE - MTR	886828	-	-	-	-
08B1	CHAIN PITCH 12,7 SINGLE - MTR	886779	-	-	CHAIN PITCH 12,7 SINGLE - 50 METRES	856157
10B1	CHAIN PITCH 15,87 SINGLE - MTR	886780	-	-	CHAIN PITCH 15,87 SINGLE - 50 METRES	856158
12B1	CHAIN PITCH 19,05 SINGLE - MTR	886781	-	-	CHAIN PITCH 19,05 SIMPLE - 50 METRES REEL	884966
16B1	CHAIN PITCH 25,4 SINGLE - MTR	886782	CHAIN PITCH 25,4 SIMPLE - 25 METERS REEL	891938	CHAIN PITCH 25,4 SIMPLE - 50 METRES REEL	884968
20B1	CHAIN PITCH 31,75 SINGLE - MTR	886783	CHAIN PITCH 31,75 SIMPLE - 25 METERS REEL	891096	-	-
24B1	CHAIN PITCH 38,10 SINGLE - MTR	886788	-	-	-	-
28B1	CHAIN PITCH 44,45 SINGLE - MTR	886815	-	-	-	-
32B1	CHAIN PITCH 50,88 SINGLE - MTR	886812	-	-	-	-

Hero products (always available from stock)

Dimensions



	Roller between inner plates			Roller dia	Pin dia	L1 (mm)	L2 (mm)	Inner plate depth	Plate thickness	Min tensile strength	Average tensile strength	Weight per metre
	Pitch	P (mm)	b1 min (mm)	D max (mm)	d (mm)			h (mm)	t/T (mm)	Q min kN	Q0 kN	q kg/m
06B2	3/8"	9.525	5.72	6.35	3.28	11.40	12.40	8.20	1.0/1.27	10.24	16.90	0.74
08B2	1/2"	12.70	7.75	8.51	4.45	15.50	16.90	11.80	1.65	13.92	31.10	1.47
10B2	5/8"	15.87	9.65	10.16	5.08	17.90	19.30	14.60	1.65	16.59	44.50	1.88
12B2	3/4"	19.05	11.68	12.07	5.72	20.75	22.15	16.00	1.80	19.46	57.80	2.42
16B2	1"	25.40	17.02	15.88	8.28	33.60	35.00	20.90	3.2/4	31.88	106.00	5.51
20B2	1 1/4"	31.75	19.56	19.05	10.19	38.45	42.05	26.40	4.50	36.45	170.00	7.70
24B2	1 1/2"	38.10	25.40	25.40	14.63	50.85	55.25	33.40	6	48.36	280.00	14.10
28B2	1 3/4"	44.45	30.99	27.94	15.90	62.35	66.15	37.00	7.6	59.56	360.00	18.52
32B2	2"	50.80	30.99	29.21	17.81	62.05	66.45	42.30	7.10	58.55	450.00	19.60

Links

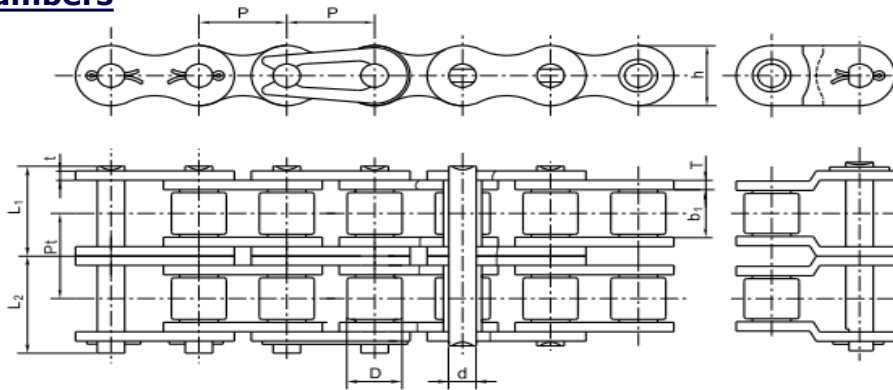


Conn links		
		RE code
06B2	MDJ.06B2	875354
08B2	MDJ.08B2	856168
10B2	MDJ.10B2	856169
12B2	MDJ.12B2	856170
16B2	MDJ.16B2	856171
20B2	MDJ.20B2	883774
24B2	MDJ.24B2	883780
28B2	MDJ.28B2	883789
32B2	MDJ.32B2	883798

Crank links		
		RE code
06B2	MCS.06B2	875360
08B2	MCS.08B2	856180
10B2	MCS.10B2	856181
12B2	MCS.12B2	856182
16B2	MCS.16B2	856183
20B2	MCS.20B2	883773
24B2	MCS.24B2	883779
28B2	MCS.28B2	883788
32B2	MCS.32B2	883797

Hero products (always available from stock)

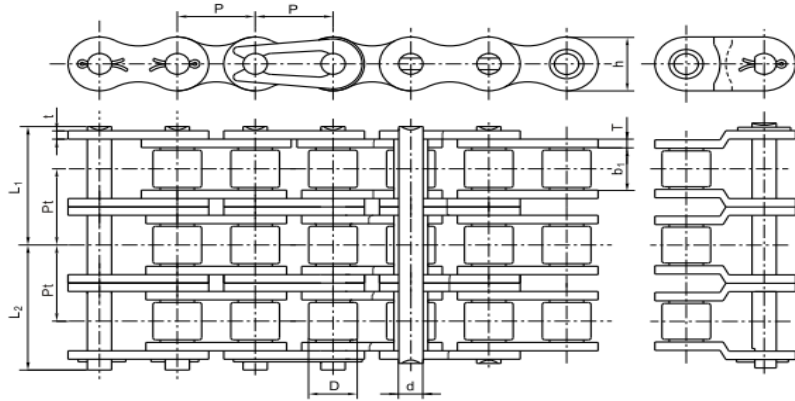
Chain part numbers



	Code for 1mtr (supplied as 5mtr boxes)		Code for 25mtr rolls		Code for 50mtr rolls	
	Description	RE code	Description	RE code	Description	RE code
06B2	CHAIN PITCH 9,52 DOUBLE - MTR	886789	-	-	CHAIN PITCH 9,52 DOUBLE - 50 METERS REEL	884963
08B2	CHAIN PITCH 12,7 DOUBLE - MTR	886784	-	-	CHAIN PITCH 12,7 DOUBLE - 50 METERS REEL	884964
10B2	CHAIN PITCH 15,87 DOUBLE - MTR	886785	-	-	CHAIN PITCH 15,87 DOUBLE - 50 METERS REEL	884965
12B2	CHAIN PITCH 19,05 DOUBLE - MTR	886786	-	-	CHAIN PITCH 19,05 DOUBLE - 50 METERS REEL	884967
16B2	CHAIN PITCH 25,4 DOUBLE - MTR	886787	CHAIN PITCH 25,4 DOUBLE - 25 METERS REEL	891095	-	-
20B2	CHAIN PITCH 31,71 DOUBLE - MTR	886819	-	-	-	-
24B2	CHAIN PITCH 38,1 DOUBLE - MTR	886817	-	-	-	-
28B2	CHAIN PITCH 44,45 DOUBLE - MTR	886814	-	-	-	-
32B2	CHAIN PITCH 50,88 DOUBLE - MTR	886811	-	-	-	-

Hero products (always available from stock)

Dimensions



	Roller between inner plates			Roller dia	Pin dia	L1 (mm)	L2 (mm)	Inner plate depth	Plate thickness	Min tensile strength	Average tensile strength	Weight per metre
	Pitch	P (mm)	b1 min (mm)	D max (mm)	d (mm)			h (mm)	t/T (mm)	Q min kN	Q0 kN	q kg/m
06B3	3/8"	9.525	5.72	6.35	3.28	16.50	17.50	8.20	1.0/1.27	10.24	24.90	1.10
08B3	1/2"	12.70	7.75	8.51	4.45	22.45	23.85	11.80	1.65	13.92	46.65	2.20
10B3	5/8"	15.87	9.65	10.16	5.08	26.20	27.60	14.60	1.65	16.59	66.70	2.81
12B3	3/4"	19.05	11.68	12.07	5.72	30.50	31.90	16.00	1.80	19.46	86.70	3.61
16B3	1"	25.40	17.02	15.88	8.28	49.55	50.95	20.90	3.2/4	31.88	160.00	8.28
20B3	1 1/4"	31.75	19.56	19.05	10.19	56.65	60.25	26.40	4.50	36.45	250.00	15.12
24B3	1 1/2"	38.10	25.40	25.40	14.63	75.05	79.45	33.40	6	48.36	425.00	20.79
28B3	1 3/4"	44.45	30.99	27.94	15.90	92.15	96.05	37.00	7.6	59.56	530.00	27.70
32B3	2"	50.80	30.99	29.21	17.81	91.33	95.75	42.30	7.10	58.55	670.00	29.26

Links

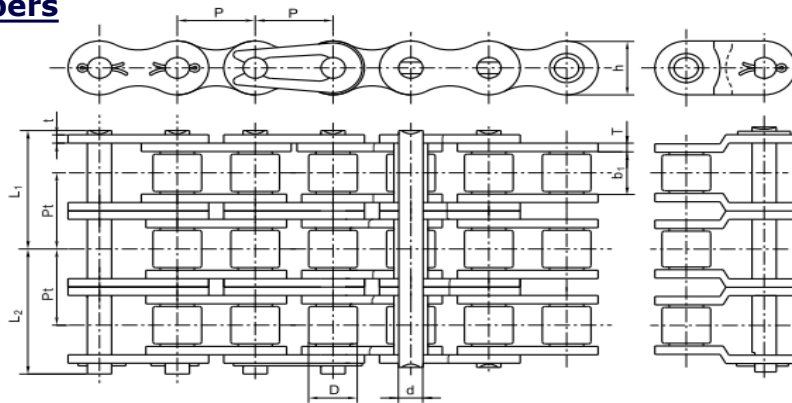


Conn links		
		RE code
04B3	-	-
05B3	-	-
06B3	MDJ.06B3	875398
08B3	MDJ.08B3	875399
10B3	MDJ.10B3	875400
12B3	MDJ.12B3	875401
16B3	MDJ.16B3	875402
20B3	MDJ.20B3	883777
24B3	MDJ.24B3	883783
28B3	MDJ.28B3	883792
32B3	MDJ.32B3	883801

Crank links		
		RE code
04B3	-	-
05B3	-	-
06B3	MCS.06B3	875416
08B3	MCS.08B3	875417
10B3	MCS.10B3	875418
12B3	MCS.12B3	875419
16B3	MCS.16B3	875420
20B3	MCS.20B3	883776
24B3	MCS.24B3	883782
28B3	MCS.28B3	883791
32B3	MCS.32B3	883800

BS TRIPLEX

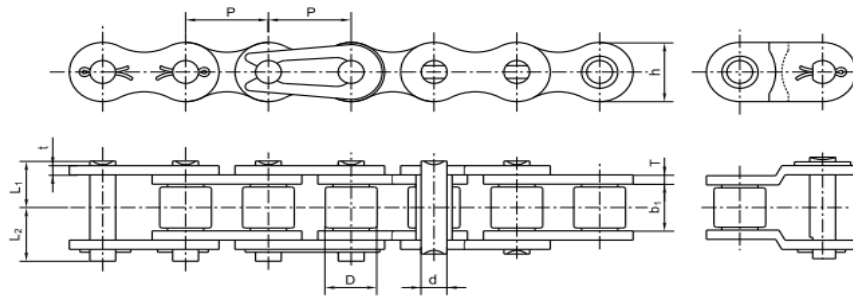
Chain part numbers



Code for 1mtr (supplied as 5mtr boxes)		
	Description	RE code
04B3	-	-
05B3	-	-
06B3	CHAIN PITCH 9,52 TRIPLE - MTR	886790
08B3	CHAIN PITCH 12,70 TRIPLE - MTR	886791
10B3	CHAIN PITCH 15,87 TRIPLE - MTR	886792
12B3	CHAIN PITCH 19,05 TRIPLE - MTR	886793
16B3	CHAIN PITCH 25,40 TRIPLE - MTR	886794
20B3	CHAIN PITCH 31,71 TRIPLE - MTR	886818
24B3	CHAIN PITCH 38,1 TRIPLE - MTR	886816
28B3	CHAIN PITCH 44,45 TRIPLE - MTR	886813
32B3	CHAIN PITCH 50,88 TRIPLE - MTR	886810

Hero products (always available from stock)

Dimensions



	Roller between inner plates			Roller dia	Pin dia			Inner plate depth	Plate thickness	Min tensile strength	Average tensile strength	Weight per metre
	Pitch	P (mm)	b1 min (mm)	D max (mm)	d (mm)	L1 (mm)	L2 (mm)	h (mm)	t/T (mm)	Q min kN	Q0 kN	q kg/m
05B1	8 x 3mm	8.000	3.00	5.00	2.31	3.90	4.80	7.10	0.80	5.00	6.00	0.19
06B1	3/8"	9.53	5.72	6.35	3.28	6.27	7.23	8.20	1.0/1.27	8.90	10.50	0.38
08B1	1/2"	12.70	7.75	8.51	4.45	8.50	9.90	11.80	1.65	17.80	20.50	0.74
10B1	5/8"	15.88	9.65	10.16	5.08	9.60	10.90	14.60	1.65	22.20	27.50	0.95
12B1	3/4"	19.05	11.68	12.07	5.72	11.00	12.40	16.00	1.80	28.90	32.50	1.23
16B1	1"	25.40	17.02	15.88	8.28	17.65	19.05	20.90	3.24	60.00	71.00	2.77

Links



Conn links		
		RE code
05B1	MDJ.05B1SS	883804
06B1	MDJ.06B1SS	875404
08B1	MDJ.08B1SS	875405
10B1	MDJ.10B1SS	875406
12B1	MDJ.12B1SS	875407
16B1	MDJ.16B1SS	875408

Crank links		
		RE code
05B1	MCS.05B1SS	883803
06B1	MCS.06B1SS	875368
08B1	MCS.08B1SS	875369
10B1	MCS.10B1SS	875370
12B1	MCS.12B1SS	875371
16B1	MCS.16B1SS	875372

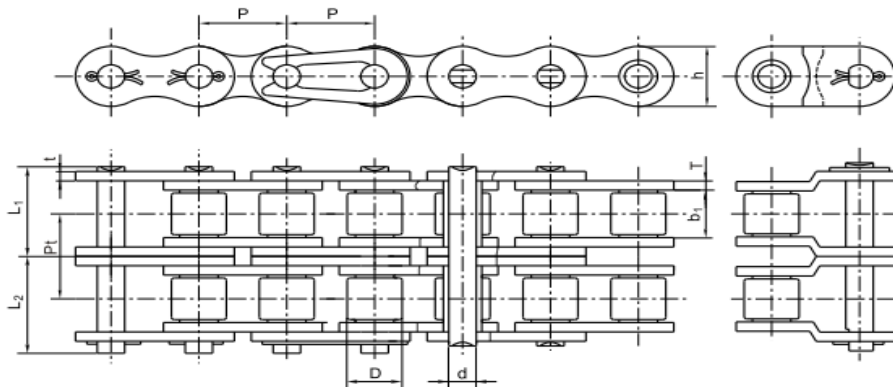
Chain part numbers

Code for 1mtr (supplied as 5mtr boxes)		
	Description	RE code
05B1	CHAIN PITCH 8 SINGLE - MTR STAINLESS STEEL	886809
06B1	CHAIN PITCH 9,52 SINGLE - MTR STAINLESS STEEL	886795
08B1	CHAIN PITCH 12,70 SINGLE - MTR STAINLESS STEEL	886796
10B1	CHAIN PITCH 15,87 SINGLE - MTR STAINLESS STEEL	886797
12B1	CHAIN PITCH 19,05 SINGLE - MTR STAINLESS STEEL	886798
16B1	CHAIN PITCH 25,40 SINGLE - MTR STAINLESS STEEL	886799

Hero products (always available from stock)

BS STAINLESS STEEL - DUPLEX

Dimensions



	Roller between inner plates			Roller dia	Pin dia	L1 (mm)	L2 (mm)	Inner plate depth	Plate thickness	Min tensile strength	Average tensile strength	Weight per metre
	Pitch	P (mm)	b1 min (mm)	D max (mm)	d (mm)			h (mm)	t/T (mm)	Q min kN	Q0 kN	q kg/m
06B2	3/8"	9.525	5.72	6.35	3.28	11.40	12.40	8.20	1.0/1.27	10.24	16.90	0.74
08B2	1/2"	12.70	7.75	8.51	4.45	15.50	16.90	11.80	1.65	13.92	31.10	1.47
10B2	5/8"	15.87	9.65	10.16	5.08	17.90	19.30	14.60	1.65	16.59	44.50	1.88
12B2	3/4"	19.05	11.68	12.07	5.72	20.75	22.15	16.00	1.80	19.46	57.80	2.42
16B2	1"	25.40	17.02	15.88	8.28	33.60	35.00	20.90	3.2/4	31.88	106.00	5.51

Links



Conn links		
		RE code
06B2	MDJ.06B2SS	883807
08B2	MDJ.08B2SS	883810
10B2	MDJ.10B2SS	883813
12B2	MDJ.12B2SS	883816
16B2	MDJ.16B2SS	883819

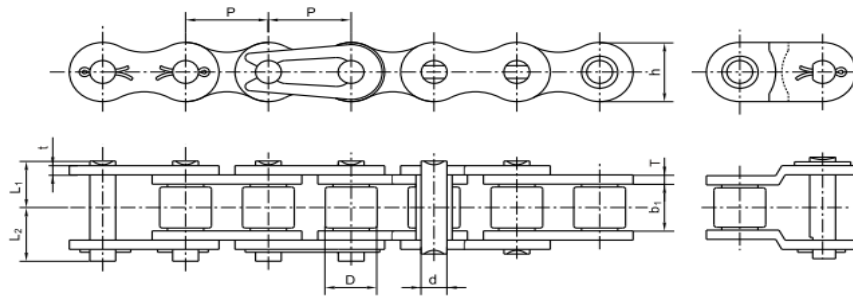
Crank links		
		RE code
06B2	MCS.06B2SS	883806
08B2	MCS.08B2SS	883809
10B2	MCS.10B2SS	883812
12B2	MCS.12B2SS	883815
16B2	MCS.16B2SS	883818

Chain part numbers

Code for 1mtr (supplied as 5mtr boxes)		
	Description	RE code
06B2	CHAIN PITCH 9,52 DOUBLE - MTR STAINLESS STEEL	886808
08B2	CHAIN PITCH 12,7 DOUBLE - MTR STAINLESS STEEL	886807
10B2	CHAIN PITCH 15,87 DOUBLE - MTR STAINLESS STEEL	886806
12B2	CHAIN PITCH 19,05 DOUBLE - MTR STAINLESS STEEL	886805
16B2	CHAIN PITCH 25,4 DOUBLE - MTR STAINLESS STEEL	886804

Hero products (always available from stock)

Dimensions



Ansi chain no.	ISO chain	Roller between inner plates		Roller dia	Pin dia	L1 (mm)	L2 (mm)	Inner plate depth	Plate thickness	Min tensile strength	Average tensile strength	Weight per metre
		P (mm)	b1 min (mm)	D max (mm)	d (mm)			h (mm)	t/T (mm)	Q min kN	Q0 kN	q kg/m
30/1	06A1	9.525	4.77	5.08	3.58	4.77	-	8.70	1.30	7.80	9.36	0.35
40/1	08A1	12.70	7.85	7.92	3.96	8.30	-	12.00	1.52	13.80	18.00	0.66
50/1	10A1	15.87	9.40	10.16	5.08	10.25	-	15.05	2.00	21.80	31.00	1.05
60/1	12A1	19.05	12.57	11.91	5.94	12.65	-	18.00	2.40	31.10	42.00	1.56
80/1	16A1	25.40	15.75	15.88	7.92	16.20	-	23.50	3.20	55.60	70.20	2.67

Links



Conn links		
Ansi chain no.		RE code
30/1	MDJ.06A1	883750
40/1	MDJ.08A1	875350
50/1	MDJ.10A1	875351
60/1	MDJ.12A1	875352
80/1	MDJ.16A1	875353

Crank links		
Ansi chain no.		RE code
30/1	MCS.06A1	883749
40/1	MCS.08A1	875356
50/1	MCS.10A1	875357
60/1	MCS.12A1	875358
80/1	MCS.16A1	875359

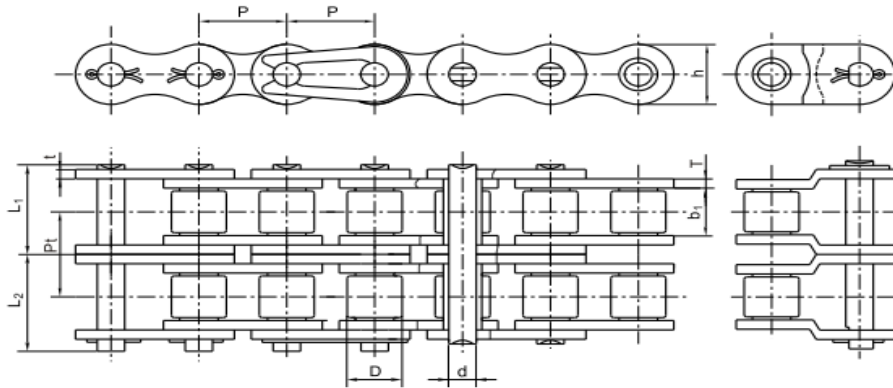
Chain part numbers

Ansi chain no.	Code for 1mtr (supplied as 5mtr boxes)	
	Description	RE code
30/1	CHAIN PITCH 9,52 SINGLE ASA 30/1 - MTR	886825
40/1	CHAIN PITCH 12,70 SINGLE ASA 40/1 - MTR	886800
50/1	CHAIN PITCH 15,87 SINGLE ASA 50/1 - MTR	886801
60/1	CHAIN PITCH 19,05 SINGLE ASA 60/1 - MTR	886802
80/1	CHAIN PITCH 25,40 SINGLE ASA 80/1 - MTR	886803

Hero products (always available from stock)

ANSI CHAIN - DUPLEX

Dimensions



Ansi chain no.	Roller between inner plates		Roller dia	Pin dia	Pin dia	L1 (mm)	L2 (mm)	Inner plate depth h (mm)	Plate thickness t/T (mm)	Min tensile strength Q min kN	Average tensile strength Q0 kN	Weight per metre q kg/m
	ISO chain	P (mm)										
30/2	06A2	9.525	4.77	5.08	3.58	-	-	8.70	1.30	-	-	-
40/2	08A2	12.70	7.85	7.92	3.96	15.50	16.70	12.00	1.52	27.60	34.50	1.30
50/2	10A2	15.87	9.40	10.16	5.08	19.30	20.70	15.00	2.00	43.60	59.50	2.08
60/2	12A2	19.05	12.57	11.91	5.94	24.05	25.95	18.00	2.40	62.30	80.60	3.09
80/2	16A2	25.40	15.75	15.88	7.92	30.75	33.15	23.50	3.20	111.20	134.80	5.29

Links



Conn links		
Ansi chain no.		RE code
30/2	MDJ.06A2	883753
40/2	MDJ.08A2	883762
50/2	MDJ.10A2	883765
60/2	MDJ.12A2	883768
80/2	MDJ.16A2	883771

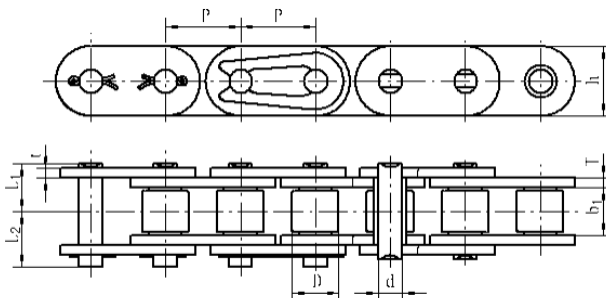
Crank links		
Ansi chain no.		RE code
30/2	MCS.06A2	883752
40/2	MCS.08A2	883761
50/2	MCS.10A2	883764
60/2	MCS.12A2	883767
80/2	MCS.16A2	883770

Chain part numbers

Ansi chain no.	Code for 1mtr (supplied as 5mtr boxes)	
	Description	RE code
30/2	CHAIN PITCH 9,52 SINGLE ASA 30/1 - MTR	886824
40/2	CHAIN PITCH 12,7 SINGLE ASA 40/2 - MTR	886823
50/2	CHAIN PITCH 15,87 SINGLE E ASA 50/1 - MTR	886822
60/2	CHAIN PITCH 19,05 SINGLE E ASA 60/1 - MTR	886821
80/2	CHAIN PITCH 25,4 SINGLE ASA 80/1 - MTR	886820

STRAIGHT SIDE PLATE CHAIN - SIMPLEX

Dimensions



ISO no.	Roller between inner plates			Roller dia D max (mm)	Pin dia d (mm)	L1 (mm)	L2 (mm)	Inner plate depth h (mm)	Plate thickness t/T (mm)	Min tensile strength Q min kN	Average tensile strength Q0 kN	Weight per metre q kg/m
	Pitch	P (mm)	b1 min (mm)									
C08B-1	1/2"	12.700	7.75	8.51	4.45	8.50	9.90	12.20	1.65	17.80	20.50	0.85
C10B-1	5/8"	15.87	9.65	10.16	5.08	9.60	10.90	14.60	1.65	22.20	27.50	1.05
C12B-1	3/4"	19.05	11.68	12.07	5.72	11.00	12.40	16.00	1.80	28.90	32.50	1.31
C16B-1	1"	25.40	17.02	15.88	8.28	17.65	19.05	20.90	3.2/4	60.00	71.00	3.02
C16B-/24	1"	25.40	17.02	15.88	8.28	17.65	19.05	24.00	4.15/3.1	60.00	72.80	3.49
C20B-1	1 1/4"	31.75	19.56	19.05	10.19	20.20	23.80	26.00	3.6/4.5	95.00	107.00	4.11

Links



Conn links		
ISO no.		RE code
C08B-1	MDJ.C08B1SPL	884357
C10B-1	MDJ.C10B1SPL	884363
C12B-1	MDJ.C12B1SPL	884369
C16B-1	MDJ.C16B1-21-SPL	884378
C16B-/24	MDJ.C16B1-24-SPL	884381
C20B-1	MDJ.C20B1SPL	884390

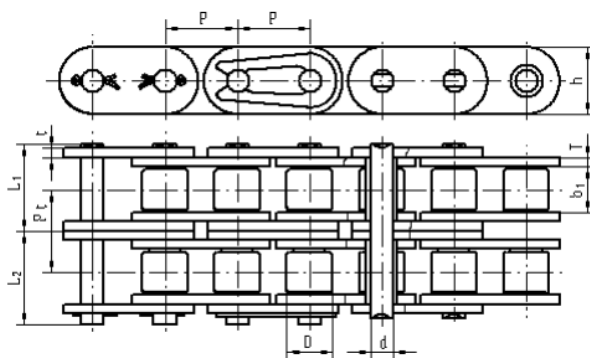
Crank links		
ISO no.		RE code
C08B-1	MCS.C08B1SPL	884358
C10B-1	MCS.C10B1SPL	884364
C12B-1	MCS.C12B1SPL	884370
C16B-1	MCS.C16B1-21-SPL	884379
C16B-/24	MCS.C16B1-24-SPL	-
C20B-1	MCS.C20B1SPL	884391

Chain part numbers

Code for 1mtr (supplied as 5mtr boxes)		
ISO no.	Description	RE code
C08B-1	STRAIGHT PLATE CHAIN 12,7 S - MTR	886831
C10B-1	STRAIGHT PLATE CHAIN 15,87 S - MTR	886833
C12B-1	STRAIGHT PLATE CHAIN 19,05 S - MTR	886835
C16B-1	STRAIGHT PLATE CHAIN 25,4 S - MTR - INNER PLATE 21	886838
C16B-/24	STRAIGHT PLATE CHAIN 25,4 S - MTR - INNER PLATE 24	886839
C20B-1	STRAIGHT PLATE CHAIN 31,75 S - MTR	886842

STRAIGHT SIDE PLATE CHAIN - DUPLEX

Dimensions



ISO no.	Roller between inner plates			Roller dia (mm)	Pin dia (mm)	L1 (mm)	L2 (mm)	Inner plate depth h (mm)	Plate thickness t/T (mm)	Min tensile strength Q min kN	Average tensile strength Q0 kN	Weight per metre q kg/m
	Pitch	P (mm)	b1 min (mm)									
C08B-2	1/2"	12.700	7.75	8.51	4.45	15.50	16.90	12.20	1.65	31.10	37.00	1.68
C10B-2	5/8"	15.87	9.65	10.16	5.08	17.90	19.30	14.60	1.65	44.50	53.80	2.08
C12B-2	3/4"	19.05	11.68	12.07	5.72	20.75	22.15	16.00	1.80	57.80	65.30	2.59
C16B-2	1"	25.40	17.02	15.88	8.28	33.60	35.00	20.90	3.2/4	106.00	128.30	5.97
C20B-2	1 1/4"	31.75	19.56	19.05	10.19	38.45	42.05	26.00	3.6/4.5	170.00	210.00	8.16

Links



Conn links		
ISO no.		RE code
C08B-2	MDJ.C08B2SPL	884360
C10B-2	MDJ.C10B2SPL	884366
C12B-2	MDJ.C12B2SPL	884372
C16B-2	MDJ.C16B2-21-SPL	884384
C20B-2	MDJ.C20B2SPL	884393

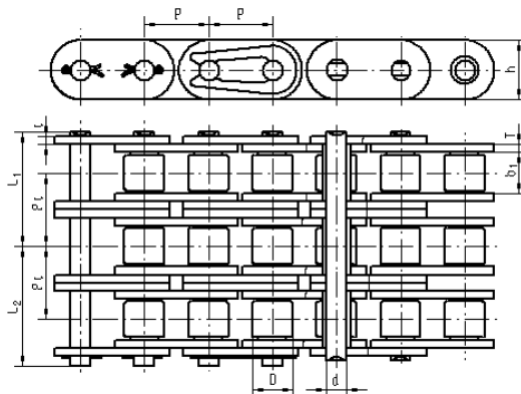
Crank links		
ISO no.		RE code
C08B-2	MCS.C08B2SPL	884361
C10B-2	MCS.C10B2SPL	884367
C12B-2	MCS.C12B2SPL	884373
C16B-2	MCS.C16B2-21-SPL	884385
C20B-2	MCS.C20B2SPL	884394

Chain part numbers

Code for 1mtr (supplied as 5mtr boxes)		
ISO no.	Description	RE code
C08B-2	STRAIGHT PLATE CHAIN 12,7 D - MTR	886832
C10B-2	STRAIGHT PLATE CHAIN 15,87 D - MTR	886834
C12B-2	STRAIGHT PLATE CHAIN 19,05 D - MTR	886836
C16B-2	STRAIGHT PLATE CHAIN 25,4 D - MTR- INNER PLATE 21	886840
C20B-2	STRAIGHT PLATE CHAIN 31,75 D - MTR	886843

STRAIGHT SIDE PLATE CHAIN - TRIPLEX

Dimensions



ISO no.	Roller between inner plates			Roller dia	Pin dia	L1 (mm)	L2 (mm)	Inner plate depth	Plate thickness	Min tensile strength	Average tensile strength	Weight per metre
	Pitch	P (mm)	b1 min (mm)									
C12B-3	3/4"	19.05	11.68	12.07	5.72	30.50	31.90	16.00	1.80	86.70	99.70	3.87
C16B-3	1"	25.40	17.02	15.88	8.28	49.55	50.95	20.90	3.2/4	160.00	200.00	8.92
C20B-3	1 1/4"	31.75	19.56	19.05	10.19	56.65	60.25	26.00	3.6/4.5	250.00	287.50	12.21

Links



Conn links		
ISO no.		RE code
C12B-3	MDJ.C12B3SPL	884375
C16B-3	MDJ.C16B3-21-SPL	884387
C20B-3	MDJ.C20B3SPL	884396

Crank links		
ISO no.		RE code
C12B-3	MCS.C12B3SPL	884376
C16B-3	MCS.C16B3-21-SPL	884388
C20B-3	MCS.C20B3SPL	884397

Chain part numbers

Code for 1mtr (supplied as 5mtr boxes)		
ISO no.	Description	RE code
C12B-3	STRAIGHT PLATE CHAIN 19,05 T - MTR	886837
C16B-3	STRAIGHT PLATE CHAIN 25,4 T - MTR - INNER PLATE 21	886841
C20B-3	STRAIGHT PLATE CHAIN 31,75 T - MTR	886844

ACCESSORIES - CHAIN TOOLS

	Description	RE code	
Chain breakers	CHAIN BREAKER 04C-12A (1/4"-3/4")	892569	
	CHAIN BREAKER 12A-20A (3/4"-1 1/4")	892570	
	CHAIN BREAKER 20A-36A (1 1/4"-2 1/4")	892571	
Chain pullers	CHAIN PULLER 04C-12A (1/4"-3/4")	892573	
	CHAIN PULLER 12A-20A (3/4"-1 1/4")	892574	
	CHAIN PULLER 20A-40A (1 1/4"-2 1/2")	892575	

SPROCKETS

Mecaline sprockets are manufactured using high grade C45 steel and GG25 cast iron.

Sprockets are offered in pilot bore, taper bore and platewheel options, in a combination of simplex, duplex or triplex profiles.

Pilot bore sprockets have a small nominal bore for ease of machine, ensuring our products are both time and cost effective.

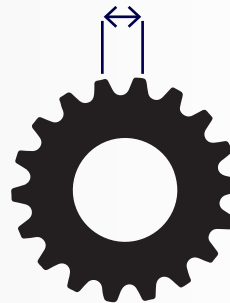
Taper sprockets should be used in conjunction with our large range of Mecaline taper bushes, making our products easily adaptable for any number of applications.

(We can also manufacture sprockets and plate wheels to customer drawing)

Sprocket selection guide

A sprocket is defined by:

1. The pitch (see diagram on the right)
2. The number of teeth
3. The number of rows of teeth
e.g. simplex, duplex or triplex
4. The bore details
e.g. pilot bore or taper bush type



Pitch

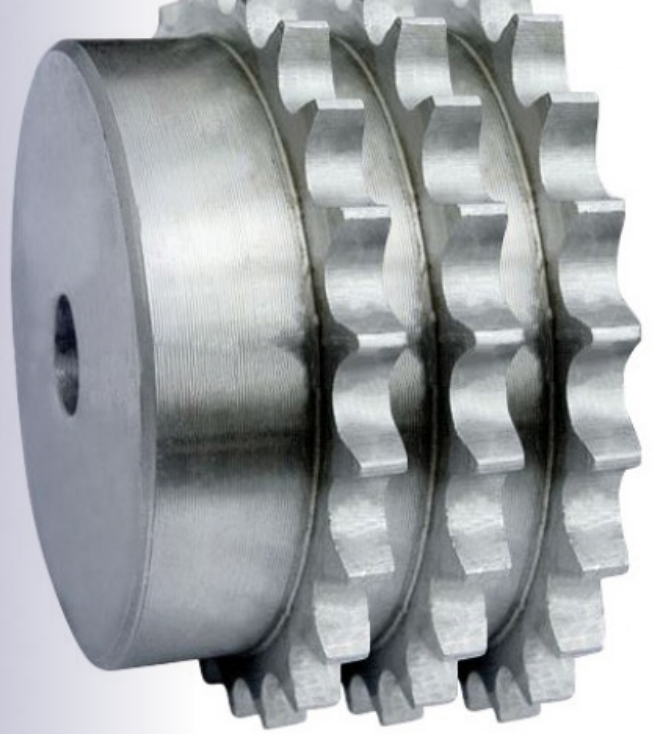
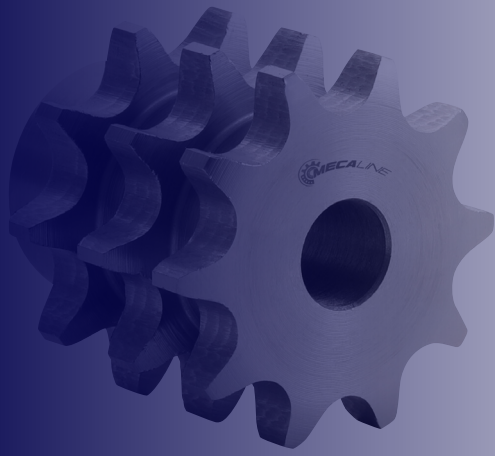
The pitch is measured by taking the distance between two consecutive teeth

Pitch sizes

ISO	Pitch (mm)	Pitch (In)
06B	9.52	3/8"
08B	12.7	1/2"
10B	15.87	5/8"
12B	19.05	3/4"
16B	25.4	1"
20B	31.75	1 1/4"
24B	38.1	1 1/2"
28B	44.45	1 3/4"
32B	50.8	2"

Mecaline sprockets and plate wheels are available in the following profiles and bore types:

Contents	Pilot bore	Taper bush	Platwheeler
04B-1	✓	-	✓
04B-2	-	-	-
04B-3	-	-	-
05B-1	✓	-	✓
05B-2	✓	-	✓
05B-3	-	-	-
06B-1	✓	✓	✓
06B-2	✓	✓	✓
06B-3	✓	✓	✓
08B-1	✓	✓	✓
08B-2	✓	✓	✓
08B-3	✓	✓	✓
10B-1	✓	✓	✓
10B-2	✓	✓	✓
10B-3	✓	✓	✓
12B-1	✓	✓	✓
12B-2	✓	✓	✓
12B-3	✓	✓	✓
16B-1	✓	✓	✓
16B-2	✓	✓	✓
16B-3	✓	✓	✓
20B-1	✓	✓	✓
20B-2	✓	-	✓
20B-3	✓	-	✓
24B-1	✓	-	✓
24B-2	✓	-	✓
24B-3	✓	-	✓
28B-1	✓	-	✓
28B-2	✓	-	✓
28B-3	✓	-	✓
32B-1	✓	-	✓
32B-2	✓	-	✓
32B-3	✓	-	✓

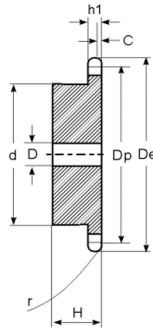


Sprockets

Pilot bored



04B PILOT BORED SPROCKETS

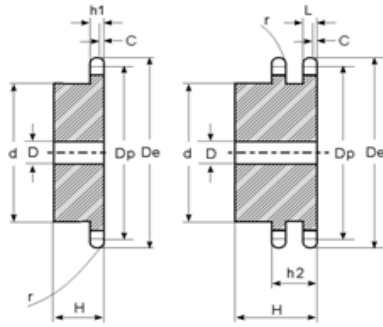


Common dimensions (mm) (unless shown)	
Chain pitch x width	6 x 2.8mm
Radius width C	0.7
Tooth radius r	6
Tooth width h1	2.6
Material	C45 steel unless shown

DIN 8187-ISO/R 606

No. teeth	De	Dp	Simplex 04B1			
			RE code	d	D	H
8	18	15.67	875974	9.8	5	10
9	19.9	17.54	875975	11.5	5	10
10	21.7	19.42	875976	13	6	10
11	23.6	21.3	875977	14	6	10
12	25.4	23.18	875978	16	6	10
13	27.3	25.05	875979	18	8	10
14	29.2	26.96	875980	20	8	10
15	31.1	28.86	875981	20	8	10
16	33	30.76	875982	20	8	13
17	35	32.65	875983	20	8	13
18	36.9	34.55	875984	20	8	13
19	38.8	36.44	875985	20	8	13
20	40.7	38.34	875986	20	8	13
21	42.6	40.25	875987	25	8	13
22	44.5	42.16	875988	25	8	13
23	46.4	44.06	875989	25	8	13
24	48.3	45.96	875990	25	8	13
25	50.2	47.87	875991	25	8	13
26	52.1	49.77	875992	30	8	15
27	54	51.67	875993	30	8	15
28	55.9	53.58	875994	30	8	15
29	57.8	55.5	875995	30	8	15
30	59.8	57.42	875996	30	8	15
31	61.7	59.31	875997	30	8	15
32	63.6	61.21	875998	30	8	15
33	65.5	63.11	875999	30	8	15
34	67.4	65.02	876000	30	8	15
35	69.3	66.93	876001	30	8	15
36	71.2	68.84	876002	30	8	15
37	73.1	70.75	876003	30	8	15
38	75	72.66	876004	30	8	15
39	76.9	74.56	876005	30	8	15
40	78.9	76.47	876006	30	8	15
45	88.5	86.01	876007	40	10	18
50	98	95.55	876008	40	12	18
57	111.4	108.93	876009	40	12	18
60	117.1	114.62	883125	50	12	20
76	147.6	145.19	883126	50	12	20

05B PILOT BORED SPROCKETS

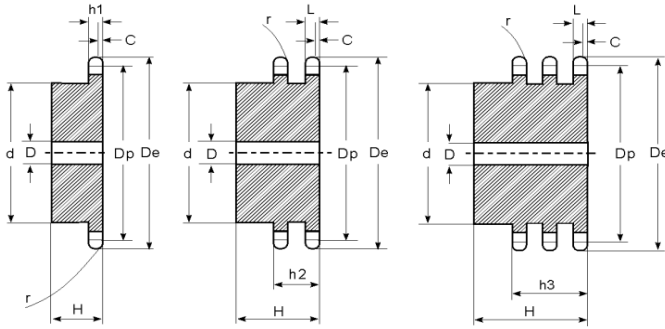


Common dimensions (mm) (unless shown)	
Chain pitch x width	8 x 3,0mm
Radius width C	1
Tooth radius r	8
Tooth width h1	2.8
Tooth width h2	8.3
Tooth width h3	-
Tooth width L	2.7
Material	C45 Steel unless shown

DIN 8187-ISO/R 606

No. teeth	De	Dp	Simplex 05B1				Duplex 05B2			
			RE code	d	D	H	RE code	d	D	H
8	24	20.9	876043	13	6	12	876074	12	8	18
9	26.6	23.39	876044	15	6	12	876075	15	8	18
10	29.2	25.89	876045	17	8	12	876076	17	8	18
11	31.7	28.39	876046	18	8	13	876077	19	10	18
12	34.2	30.91	865853	20	8	13	876078	21	10	18
13	36.7	33.42	865854	23	8	13	876079	24	10	18
14	39.2	35.95	876047	25	8	13	876080	26	10	18
15	41.7	38.48	865855	28	8	13	876081	29	10	18
16	44.3	41.01	865856	30	8	24	876082	32	10	20
17	46.8	43.53	865857	30	8	24	876083	34	10	20
18	49.3	46.07	876048	30	8	24	876084	37	10	20
19	51.9	48.61	876049	30	8	14	876085	39	10	20
20	54.4	51.14	876050	30	8	14	876086	40	10	20
21	57	53.67	876051	35	8	14	876087	40	10	20
22	59.5	56.21	876052	35	8	14	876088	40	10	20
23	62	58.75	876053	35	8	14	876089	40	10	20
24	67.5	61.29	876054	35	8	14	876090	40	10	20
25	67.5	63.83	865858	35	8	16	876091	40	10	20
26	69.5	66.37	876055	40	10	16	876092	50	12	22
27	72.2	68.91	876056	40	10	16	876093	50	12	22
28	74.8	71.45	876057	40	10	16	876094	50	12	22
29	77.3	73.99	876058	40	10	16	876095	50	12	22
30	79.8	76.53	876059	40	10	16	876096	50	12	22
31	82.4	79.08	876060	40	10	16	876097	60	12	22
32	84.9	81.61	876061	40	10	16	876098	60	12	22
33	87.5	84.16	876062	40	10	16	876099	60	12	22
34	90	86.7	876063	40	10	16	876100	60	12	22
35	92.5	89.24	876064	40	10	16	876101	60	12	22
36	95	91.79	876065	40	10	16	876102	60	12	22
37	97.6	94.33	876066	40	10	16	876103	60	12	22
38	100.2	96.88	876067	40	10	16	876104	60	12	22
39	102.7	99.42	876068	40	10	16	876105	60	12	22
40	105.3	101.97	876069	40	10	16	876106	60	12	22
45	118	114.69	876070	58	20	20	-	-	-	-
48	125.6	122.32	883127	58	20	20	-	-	-	-
50	130.7	127.41	876071	58	20	20	-	-	-	-
57	148.6	145.22	876072	78	20	20	-	-	-	-
60	156.2	152.85	883128	78	25	25	-	-	-	-
76	197.7	193.59	876073	78	25	25	-	-	-	-

06B PILOT BORED SPROCKETS



Common dimensions (mm) (unless shown)	
Chain pitch x width	3/8" x 7/32"
Radius width C	1
Tooth radius r	10
Tooth width h1	5.3
Tooth width h2	15.4
Tooth width h3	25.6
Tooth width L	5.2
Material	C45 Steel unless shown

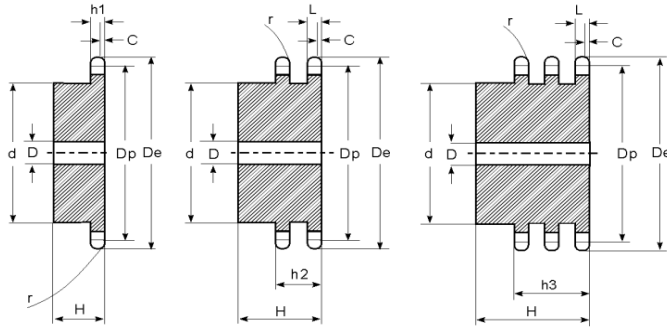
DIN 8187-ISO/R 606

Hero products (always available from stock)

GG25 cast iron

No. teeth	De	Dp	Simplex 06B1				Duplex 06B2				Triplex 06B3			
			RE code	d	D	H	RE code	d	D	H	RE code	d	D	H
8	28	24.89	865859	15	8	22	865889	8	6	22	876126	15	6	32
9	31	27.85	865860	18	8	22	876111	18	8	22	876127	18	8	32
10	34	30.82	865861	20	8	22	876112	20	8	22	876128	20	10	32
11	37	33.8	865862	22	8	25	876113	22	10	25	876129	22	10	35
12	40	36.8	865863	25	8	25	865890	25	10	25	865907	25	10	35
13	43	39.8	865864	28	10	25	865891	28	10	25	876130	28	10	35
14	46.3	42.8	865865	31	10	25	865892	31	10	25	876131	31	12	35
15	49.3	45.81	865866	34	10	25	865893	34	10	25	865908	34	12	35
16	52.3	48.82	865867	37	10	28	876114	37	12	30	876132	37	12	35
17	55.3	51.83	865868	40	10	28	865894	40	12	30	865909	40	12	35
18	58.3	54.85	865869	43	10	28	865895	43	12	30	876133	43	12	35
19	61.3	57.87	865870	45	10	28	865896	46	12	30	865910	46	12	35
20	64.3	60.89	865871	46	10	28	865897	49	12	30	876134	49	12	35
21	68	63.91	865872	48	12	28	865898	52	12	30	876135	52	14	40
22	71	66.93	865873	50	12	28	865899	55	12	30	876136	55	14	40
23	73.5	69.95	865874	52	12	28	865900	58	12	30	865911	58	14	40
24	77	72.97	865875	54	12	28	876115	61	12	30	876137	61	14	40
25	80	76	865876	57	12	28	865901	64	12	30	876138	64	14	40
26	80	76	865877	57	12	28	865902	67	12	30	876139	67	14	40
27	86	82.04	865878	60	12	28	876116	70	12	30	876140	70	14	40
28	89	85.07	865879	60	12	28	876117	73	12	30	876141	73	14	40
29	92	88.09	865880	60	12	28	876118	76	12	30	876142	76	14	40
30	94.7	91.12	865881	60	12	28	865903	76	12	30	876143	79	14	40
31	98.3	94.15	865882	65	14	30	865904	79	12	30	876144	80	16	40
32	101.3	97.17	865883	65	14	30	865905	80	16	30	876145	80	16	40
33	104.3	100.2	876107	65	14	30	876119	80	16	30	876146	80	16	40
34	107.3	103.23	865884	65	14	30	876120	80	16	30	876147	85	16	40
35	110.4	106.26	876108	65	14	30	876121	80	16	30	876148	85	16	40
36	113.4	109.29	865885	70	16	30	876122	90	16	30	876149	90	16	40
37	116.4	112.32	876109	70	16	30	876123	90	16	30	876150	90	16	40
38	119.5	115.34	865886	70	16	30	865906	80	19	40	876151	90	16	40
39	122.5	118.37	876110	70	16	30	876124	90	19	40	876152	90	16	40
40	125.5	121.4	865887	70	16	30	876125	90	19	40	876153	90	16	40
42	131.6	127.46	883129	70	19	32	883130	90	19	40	-	-	-	-
45	140.7	136.55	865888	70	19	32	883131	80	19	40	883132	90	16	56
46	143.7	139.58	883133	70	19	32	-	-	-	-	-	-	-	-
48	149.7	145.64	883134	70	19	32	883135	90	19	40	883136	90	16	56
50	155.7	151.69	883137	70	19	32	883138	90	19	40	883139	90	16	56
55	170.8	166.85	883140	70	19	32	-	-	-	-	-	-	-	-
57	176.9	172.91	883141	70	19	32	883142	80	19	40	883143	90	16	56
60	186	181.99	883144	70	19	32	883145	90	-	40	883146	90	16	56
76	234.9	230.49	883147	70	19	32	883148	80	19	40	883149	100	16	56
95	292.5	288.08	883150	80	19	32	883151	90	19	45	883152	100	16	56

08B PILOT BORED SPROCKETS



Common dimensions (mm) (unless shown)	
Chain pitch x width	1/2" x 5/16"
Radius width C	1.3
Tooth radius r	13
Tooth width h1	5.2
Tooth width h2	21
Tooth width h3	34.9
Tooth width L	7
Material	C45 Steel unless shown

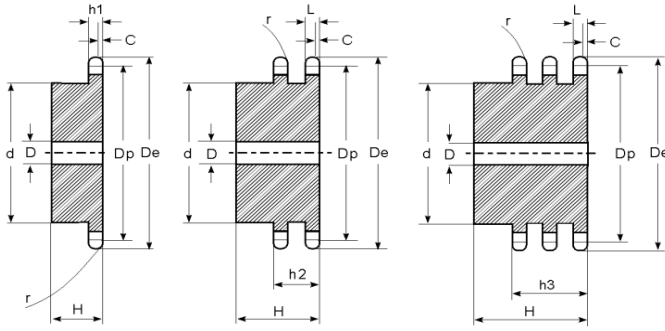
DIN 8187-ISO/R 606

Hero products (always available from stock)

GG25 cast iron

No. teeth	De	Dp	Simplex 08B1			Duplex 08B2			Triplex 08B3					
			RE code	d	D	H	RE code	d	D	H	RE code	d	D	H
8	37.2	33.18	865912	20	10	22	876290	20	10	32	876300	20	10	46
9	41	37.13	865913	24	10	22	876291	24	10	32	876301	24	12	46
10	45.2	41.1	865914	26	10	22	865943	28	10	32	876302	28	12	46
11	48.7	45.07	865915	29	10	25	865944	32	12	35	876303	32	14	50
12	53	49.07	865916	33	10	25	865945	35	12	35	876304	35	14	50
13	57.4	53.06	865917	37	10	25	865946	38	12	35	865967	38	14	50
14	61.8	57.07	865918	41	10	25	865947	42	12	35	876305	42	14	50
15	65.5	61.09	865919	45	10	25	865948	46	12	35	865968	46	14	50
16	69.5	65.1	865920	50	12	30	865949	50	14	35	876306	50	16	50
17	73.6	69.11	865921	52	12	30	865950	54	14	35	865969	54	16	50
18	77.8	73.14	865922	56	12	30	865951	58	14	35	876307	58	16	50
19	81.7	77.16	865923	60	12	30	865952	62	14	35	865970	62	16	50
20	85.8	81.19	865924	64	12	30	865953	66	14	35	876308	66	16	50
21	89.7	85.22	865925	68	12	30	865954	70	16	40	865971	70	20	55
22	93.8	89.24	865926	70	12	30	865955	70	16	40	876309	70	20	55
23	98.2	93.27	865927	70	14	30	865956	70	16	40	865972	70	20	55
24	101.8	97.29	865928	70	14	30	865957	75	16	40	876310	75	20	55
25	105.8	101.33	865929	70	14	30	865958	80	16	40	865973	80	20	55
26	110	105.36	865930	70	16	30	865959	85	20	40	876311	85	20	55
27	114	109.4	865931	70	16	30	865960	85	20	40	876312	85	20	55
28	118	113.42	865932	70	16	30	876292	90	20	40	865974	90	20	55
29	122	117.46	865933	80	16	30	876293	95	20	40	876313	95	20	55
30	126.1	121.5	865934	80	16	30	865961	100	20	40	865975	100	20	55
31	130.2	125.54	876286	90	16	30	876294	100	20	40	876314	110	20	55
32	134.3	129.56	865935	90	16	30	865962	100	20	40	876315	110	20	55
33	138.4	133.6	876287	90	16	30	876295	100	20	40	876316	110	20	55
34	142.6	137.64	865936	90	16	30	876296	100	20	40	876317	110	20	55
35	146.7	141.68	865937	90	16	30	876297	100	20	40	876318	110	20	55
36	151	145.72	865938	90	16	30	865963	110	20	40	876319	120	20	55
37	154.6	149.76	876288	90	16	35	876298	110	20	40	876320	120	20	55
38	158.6	153.8	865939	70	19	30	865964	90	23	40	865976	100	23	55
39	162.7	157.83	876289	90	16	35	876299	110	20	40	876321	120	20	55
40	166.8	161.87	865940	90	16	30	865965	110	20	40	876322	120	20	55
42	175.4	169.95	883153	90	16	40	883154	110	20	50	-	-	-	-
45	188	182.07	865941	70	19	40	883155	90	23	50	883156	100	23	60
46	192.1	186.1	883157	70	19	40	883158	110	23	50	-	-	-	-
48	200.3	194.18	883159	70	19	40	883160	110	23	50	-	-	-	-
50	208.3	202.26	883161	70	19	40	883162	110	23	50	883163	100	24	60
55	228.1	222.46	883164	70	19	40	-	-	-	-	-	-	-	-
57	236.4	230.54	865942	80	23	40	865966	90	23	50	883165	100	23	60
60	248.6	242.66	883166	70	19	40	883167	90	23	50	883168	100	23	60
76	313.2	307.33	883169	80	23	40	883170	100	23	55	883171	100	23	60
95	390.1	384.11	883172	80	23	40	883173	100	23	55	883174	120	23	60

10B PILOT BORED SPROCKETS



Common dimensions (mm) (unless shown)	
Chain pitch x width	5/8" x 3/8"
Radius width C	1.6
Tooth radius r	16
Tooth width h1	9.1
Tooth width h2	25.5
Tooth width h3	42.1
Tooth width L	9
Material	C45 Steel unless shown

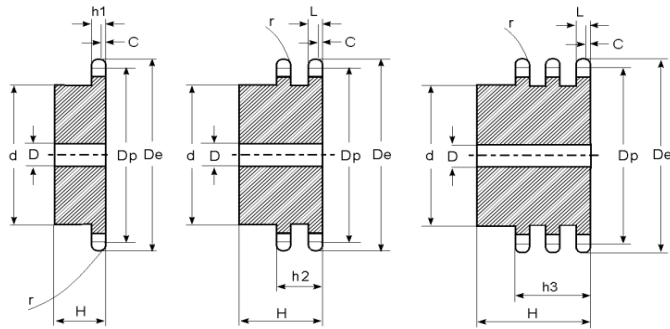
DIN 8187-ISO/R 606

Hero products (always available from stock)

GG25 cast iron

No. teeth	De	Dp	Simplex 10B1			Duplex 10B2			Triplex 10B3					
			RE code	d	D	H	RE code	d	D	H	RE code	d	D	H
8	47	41.48	865977	25	10	25	876331	25	12	40	876350	25	12	55
9	52.6	46.42	865978	30	10	25	876332	30	12	40	876351	30	12	55
10	57.5	51.37	865979	35	10	25	876333	35	12	40	876352	35	16	55
11	63	56.34	865980	37	12	30	876334	39	14	40	876353	39	16	55
12	68	61.34	865981	42	12	30	866004	44	14	40	876354	44	16	55
13	73	66.32	865982	47	12	30	866005	49	14	40	866018	49	16	55
14	78	71.34	865983	52	12	30	866006	54	14	40	866019	54	16	55
15	83	76.36	865984	57	12	30	866007	59	14	40	866020	59	16	55
16	88	81.37	865985	60	12	30	866008	64	16	45	876355	64	16	60
17	93	86.39	865986	60	12	30	866009	69	16	45	866021	69	16	60
18	98.3	91.42	865987	70	14	30	866010	74	16	45	876356	74	16	60
19	103.3	96.45	865988	70	14	30	866011	79	16	45	866022	79	16	60
20	108.4	101.49	865989	75	14	30	866012	84	16	45	866023	84	16	60
21	113.4	106.52	865990	75	16	30	866013	85	16	45	876357	85	20	60
22	118	111.55	865991	80	16	30	876335	90	16	45	866024	115	20	60
23	123.4	116.58	865992	80	16	30	876336	95	16	45	876358	95	20	60
24	128.3	121.62	865993	80	16	30	866014	100	16	45	876359	100	20	60
25	134	126.66	865994	80	16	30	866015	105	16	45	876360	105	20	60
26	139	131.7	865995	85	20	35	876337	110	20	45	876361	110	20	60
27	144	136.75	865996	85	20	35	876338	110	20	45	876362	110	20	60
28	148.7	141.78	865997	90	20	35	876339	115	20	45	876363	115	20	60
29	153.8	146.83	876323	90	20	35	876340	115	20	45	876364	115	20	60
30	158.8	151.87	865998	90	20	35	866016	120	20	45	866025	120	20	60
31	163.9	156.92	876324	95	20	35	876341	120	20	45	876365	120	20	60
32	168.9	161.95	865999	95	20	35	876342	120	20	45	876366	120	20	60
33	174.5	167	876325	95	20	35	876343	120	20	45	876367	120	20	60
34	179	172.05	876326	95	20	35	876344	120	20	45	876368	120	20	60
35	184.1	177.1	876327	95	20	35	876345	120	20	45	876369	120	20	60
36	189.1	182.15	876328	100	20	35	876346	120	20	45	876370	120	25	60
37	194.2	187.2	876329	100	20	35	876347	120	20	45	876371	120	25	60
38	199.2	192.24	866000	80	19	40	866017	100	29	50	876372	120	25	60
39	204.2	197.29	876330	70	20	35	876348	120	20	45	876373	100	31	60
40	209.3	202.34	866001	70	20	35	876349	120	20	45	876374	120	25	60
42	219.9	212.44	883175	70	20	35	883176	120	20	50	-	-	-	-
45	235	227.58	866002	80	19	40	883177	100	29	50	883178	100	31	60
46	240.1	232.63	883179	80	20	40	883180	120	20	50	-	-	-	-
48	250.2	242.73	883181	80	20	40	883182	120	20	50	-	-	-	-
50	260.3	252.82	883183	80	20	40	883184	120	20	50	883185	130	25	60
55	285.5	278.08	883186	80	20	40	883187	120	20	50	-	-	-	-
57	296	288.18	866003	90	23	45	883188	100	29	56	883189	100	31	60
60	310.8	303.32	883190	90	23	45	883191	120	20	57	883192	130	25	64
76	392.1	384.16	883193	90	23	50	883194	100	29	63	883195	110	34	64
95	488.5	480.14	883196	100	23	56	883197	110	29	63	883198	125	34	70

12B PILOT BORED SPROCKETS



Common dimensions (mm) (unless shown)	
Chain pitch x width	3/4" x 7/16"
Radius width C	2
Tooth radius r	19
Tooth width h1	11.1
Tooth width h2	30.3
Tooth width h3	49.8
Tooth width L	10.8
Material	C45 Steel unless shown

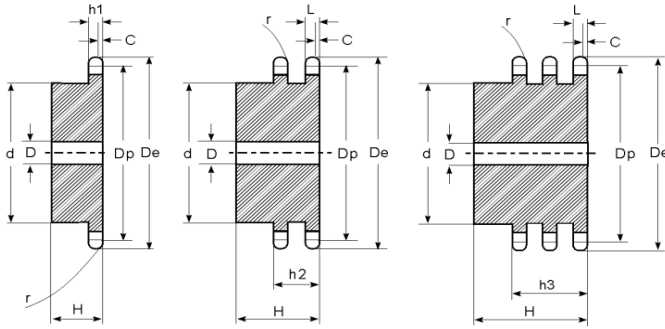
DIN 8187-ISO/R 606

Hero products (always available from stock)

GG25 cast iron

No. teeth	De	Dp	Simplex 12B1			Duplex 12B2			Triplex 12B3					
			RE code	d	D	H	RE code	d	D	H	RE code	d	D	H
8	57.60	49.78	866026	31	12	30	876382	31	12	45	876397	31	16	65
9	62	55.7	876375	37	12	30	876383	37	12	45	876398	37	16	65
10	69	61.64	866027	42	12	30	876384	42	12	45	876399	42	16	65
11	75	67.61	866028	46	14	35	866053	47	16	50	876400	47	20	70
12	81.5	73.6	866029	52	14	35	866054	53	16	50	876401	53	20	70
13	87.5	79.59	866030	58	14	35	866055	59	16	50	866072	59	20	70
14	93.6	85.61	866031	64	14	35	866056	65	16	50	876402	65	20	70
15	99.8	91.63	866032	70	14	35	866057	71	16	50	866073	71	20	70
16	105.5	97.65	866033	75	16	35	876385	77	20	50	876403	77	20	70
17	111.5	103.67	866034	80	16	35	866058	83	20	50	866074	89	20	70
18	118	109.71	866035	80	16	35	866059	89	20	50	866075	89	20	70
19	124.2	115.75	866036	80	16	35	866060	95	20	50	866076	95	20	70
20	129.7	121.78	866037	80	16	35	866061	100	20	50	876404	100	20	70
21	136	127.82	866038	90	20	40	866062	100	20	50	866077	100	20	70
22	141.8	133.86	866039	90	20	40	866063	100	20	50	876405	100	20	70
23	149	139.9	866040	90	20	40	866064	110	20	50	876406	110	20	70
24	153.9	145.94	866041	90	20	40	866065	110	20	50	876407	110	20	70
25	160	152	866042	90	20	40	866066	120	20	50	866078	130	20	70
26	165.9	158.04	876376	95	20	40	866067	120	20	50	876408	120	20	70
27	172.3	164.09	866043	95	20	40	876386	120	20	50	876409	120	20	70
28	178	170.13	866044	95	20	40	876387	120	20	50	876410	120	20	70
29	184.1	176.19	876377	95	20	40	876388	120	20	50	876411	120	20	70
30	190.5	182.25	866045	95	20	40	866068	120	20	50	876412	120	20	70
31	196.3	188.31	866046	100	20	40	876389	120	20	50	876413	130	25	70
32	203.3	194.35	866047	100	20	40	866069	130	20	50	876414	130	25	70
33	209.3	200.4	866048	100	20	40	876390	120	20	50	876415	130	25	70
34	214.6	206.46	876378	95	20	40	876391	120	20	50	876416	130	25	70
35	221	212.52	866049	100	20	40	876392	120	20	50	876417	130	25	70
36	226.8	218.58	866050	100	20	40	876393	120	25	50	876418	130	25	70
37	232.9	224.64	876379	100	20	40	876394	120	25	50	876419	130	25	70
38	239	230.69	866051	100	23	56	866070	110	29	63	866079	140	30	70
39	245.1	236.75	876380	100	20	40	876395	120	25	50	876420	130	25	70
40	251.3	242.81	876381	100	20	40	876396	120	25	50	876421	130	25	70
42	264.5	254.93	883199	110	23	56	883200	136	29	63	-	-	-	-
45	282.5	273.09	866052	100	23	56	883201	110	29	63	883202	140	30	70
46	287.9	279.16	883203	110	23	56	883204	136	29	63	-	-	-	-
48	300.1	291.27	883205	110	23	56	883206	136	29	63	-	-	-	-
50	312.3	303.39	883207	110	23	56	883208	136	29	63	883209	140	-	70
55	342.7	333.7	883210	110	23	56	883211	136	29	63	-	-	-	-
57	355.4	345.81	883212	100	29	56	866071	120	29	63	883213	140	39	70
60	373	363.99	883214	110	23	56	883215	136	29	63	883216	140	39	70
76	469.9	460.99	883217	100	29	56	883218	135	29	63	883219	160	39	75
95	585.1	576.17	883220	100	29	56	883221	135	29	63	883222	170	29	82

16B PILOT BORED SPROCKETS



Common dimensions (mm) (unless shown)	
Chain pitch x width	1" x 17,02 mm
Radius width C	2.5
Tooth radius r	26
Tooth width h1	16.2
Tooth width h2	47.7
Tooth width h3	79.6
Tooth width L	15.8
Material	C45 Steel unless shown

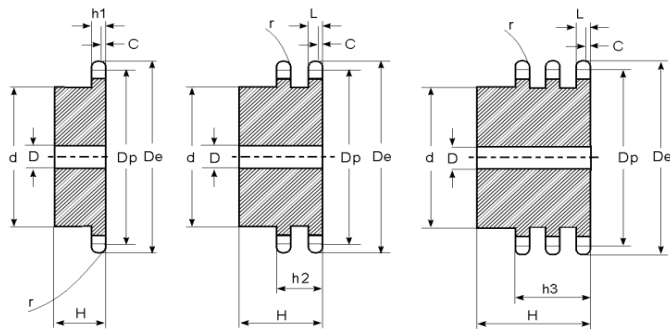
DIN 8187-ISO/R 606

Hero products (always available from stock)

GG25 cast iron

No. teeth	De	Dp	Simplex 16B1				Duplex 16B2				Triplex 16B3			
			RE code	d	D	H	RE code	d	D	H	RE code	d	D	H
8	77	66.37	876422	42	16	35	876435	42	16	65	876454	42	8	95
9	85	74.27	876423	50	16	35	876436	50	16	65	876455	50	9	95
10	93	82.19	866080	55	16	35	866100	56	16	65	876456	56	10	95
11	99.5	90.14	866081	61	16	40	876437	64	20	70	876457	64	11	100
12	109	98.14	866082	69	16	40	866101	72	20	70	866114	72	12	100
13	117	106.12	866083	78	16	40	866102	80	20	70	866115	80	13	100
14	125	114.15	866084	84	16	40	866103	88	20	70	876458	88	14	100
15	133	122.17	866085	92	16	40	866104	96	20	70	866116	96	15	100
16	141	130.2	866086	100	20	45	866105	104	20	70	866117	104	16	100
17	149	138.22	866087	100	20	45	866106	112	20	70	866118	112	17	100
18	157	146.28	866088	100	20	45	866107	120	20	70	876459	120	18	100
19	165.2	154.33	866089	100	20	45	866108	128	20	70	866119	128	19	100
20	173.2	162.38	866090	100	20	45	866109	130	20	70	876460	130	20	100
21	181.2	170.43	866091	110	20	50	866110	*130	25	70	866120	*130	21	100
22	189.3	178.48	866092	110	20	50	876438	*130	25	70	876461	130	22	100
23	197.5	186.53	866093	110	20	50	876439	*130	25	70	876462	130	23	100
24	205.5	194.59	866094	110	20	50	876440	*130	25	70	876463	130	24	100
25	213.5	202.66	866095	110	20	50	866111	*130	25	70	876464	130	25	100
26	221.6	210.72	876424	120	20	50	876441	*130	25	70	876465	130	26	100
27	229.6	218.79	866096	120	20	50	876442	*130	25	70	876466	130	27	100
28	237.7	226.85	866097	120	20	50	876443	*130	25	70	876467	130	28	100
29	245.8	234.92	876425	120	20	50	876444	*130	25	70	876468	130	29	100
30	254	243	866098	110	29	65	866112	125	39	75	876469	145	39	90
31	262	251.08	876426	*120	25	50	876445	*130	25	70	876470	140	31	100
32	270	259.13	876427	*120	25	50	876446	*130	25	70	876471	140	32	100
33	278.5	267.21	876428	*120	25	50	876447	*130	25	70	876472	140	33	100
34	287	275.28	876429	*120	25	50	876448	*130	25	70	876473	140	34	100
35	296.2	283.36	876430	*120	25	50	876449	*130	25	70	876474	140	35	100
36	304.6	291.44	876431	*120	25	50	876450	*130	25	70	876475	140	36	100
37	312.6	299.51	876432	*120	25	50	876451	*130	25	70	876476	140	37	100
38	320.7	307.59	866099	110	29	65	866113	140	39	75	876477	160	44	100
39	328.8	315.67	876433	*120	25	50	876452	*130	25	70	876478	140	39	100
40	336.9	323.73	876434	*120	25	50	876453	*130	25	70	876479	140	40	100
42	353	339.9	883223	125	29	68	883224	140	39	70	-	-	-	-
45	377.1	264.12	883225	125	29	70	883226	150	39	75	883227	160	44	100
46	385.2	372.21	883228	125	29	68	883229	140	39	70	-	-	-	-
48	401.3	388.36	883230	125	29	68	883231	140	39	70	-	-	-	-
50	417.4	404.52	883232	125	29	68	883233	140	39	70	883234	160	50	100
57	474	461.07	883235	125	34	70	883236	170	39	90	883237	165	44	100
60	498.3	485.32	883238	133	34	68	883239	150	39	85	-	-	-	-
76	627	614.65	883240	140	34	80	883241	175	39	95	883242	200	44	110
95	781.1	768.22	883243	140	39	80	883244	175	44	95	883245	200	49	110
95	585.1	576.17	883220	100	29	56	883221	135	29	63	883222	170	29	82

20B PILOT BORED SPROCKETS



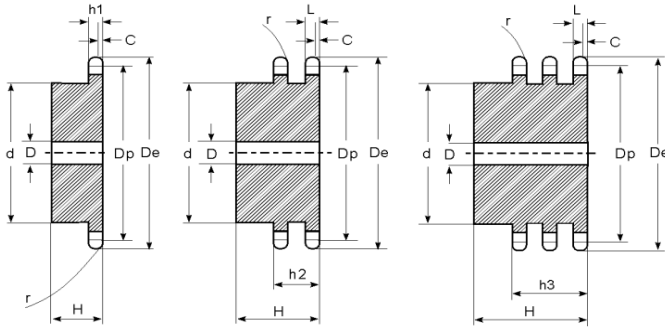
Common dimensions (mm) (unless shown)	
Chain pitch x width	1" 1/4 x 3/4"
Radius width C	3.5
Tooth radius r	32
Tooth width h1	18.5
Tooth width h2	54.6
Tooth width h3	91
Tooth width L	18.2
Material	C45 Steel unless shown

DIN 8187-ISO/R 606

Hero products (always available from stock) GG25 cast iron

No. teeth	Simplex 20B1			Duplex 20B2			Triplex 20B3							
	De	Dp	RE code	d	D	H	RE code	d	D	H	RE code	d	D	H
8	98.1	82.96	876480	53	20	40	876506	53	20	75	876533	53	20	110
9	108	92.84	876481	63	20	40	876507	63	20	75	876534	63	20	110
10	117.9	102.74	876482	70	20	40	866128	70	20	75	876535	70	20	110
11	127.8	112.68	876483	77	20	45	876508	80	20	80	876536	80	20	115
12	137.8	122.68	866121	88	20	45	876509	90	20	80	876537	90	20	115
13	147.8	132.65	876484	98	20	45	866129	100	20	80	876538	100	20	115
14	157.8	142.68	866122	108	20	45	876510	110	20	80	876539	110	20	115
15	167.9	152.72	866123	118	20	45	866130	120	20	80	876540	120	20	115
16	177.9	162.75	876485	120	25	50	876511	120	25	80	876541	120	25	115
17	187.9	172.78	866124	120	25	50	876512	120	25	80	876542	120	25	115
18	198	182.85	876486	120	25	50	876513	*120	25	80	876543	120	25	115
19	208.1	192.91	866125	120	25	50	866131	*120	25	80	876544	120	25	115
20	218.1	202.98	876487	120	25	50	876514	*120	25	80	876545	120	25	115
21	228.2	213.04	866126	140	25	55	876515	*140	25	80	876546	140	25	115
22	238.3	223.11	876488	140	25	55	876516	*140	25	80	876547	140	25	115
23	248.3	233.17	876489	140	25	55	866132	*140	25	80	876548	140	25	115
24	258.4	243.23	876490	140	25	55	876517	*140	25	80	876549	140	25	115
25	268.5	253.33	866127	140	25	55	876518	*140	25	80	876550	140	25	115
26	278.6	263.4	876491	*150	25	55	876519	*150	25	80	876551	150	25	115
27	288.6	273.48	876492	*150	25	55	876520	*150	25	80	876552	150	25	115
28	298.7	283.56	876493	*150	25	55	876521	*150	25	80	876553	150	25	115
29	308.8	293.65	876494	*150	25	55	876522	*150	25	80	876554	150	25	115
30	318.9	303.75	876495	115	35	70	876523	130	40	80	876555	160	50	100
31	329	313.85	876496	*150	25	55	876524	*150	25	80	876556	150	30	115
32	339.1	323.91	876497	*150	25	55	876525	*150	25	80	876557	150	30	115
33	349.2	334.01	876498	*150	25	55	876526	*150	25	80	876558	150	30	115
34	359.3	334.1	876499	*150	25	55	876527	*150	25	80	876559	150	30	115
35	369.4	354.2	876500	*150	25	55	876528	*150	30	80	876560	150	30	115
36	379.5	364.3	876501	*150	25	55	876529	*150	30	80	876561	150	30	115
37	389.5	374.39	876502	*150	25	55	876530	*150	30	80	876562	150	30	115
38	399.6	384.49	876503	125	35	70	866133	140	44	90	876563	180	56	110
39	409.7	394.59	876504	*150	25	55	876531	*150	30	80	876564	150	30	115
40	419.8	404.66	876505	*150	25	55	876532	*150	30	80	876565	150	30	115
42	440	424.88	883246	150	25	70	-	-	-	-	-	-	-	-
45	470.3	455.17	883247	125	35	70	883248	140	44	90	883249	180	56	110
46	480.4	465.26	883250	150	35	70	883251	160	50	90	-	-	-	-
48	500.6	485.46	883252	150	35	70	-	-	-	-	-	-	-	-
50	520.8	505.65	883253	150	35	70	883254	160	50	90	883255	160	56	110
57	591.5	576.36	883256	135	40	80	883257	160	50	100	883258	180	60	125
60	621.8	606.65	883259	150	35	80	-	-	-	-	-	-	-	-
76	783.3	768.32	883260	140	40	80	883261	180	50	100	883262	200	60	140
95	975.2	960.28	883263	150	35	90	883264	180	50	100	-	-	-	-

24B PILOT BORED SPROCKETS



Common dimensions (mm) (unless shown)	
Chain pitch x width	1" 1/2 x 1"
Radius width C	4
Tooth radius r	38
Tooth width h1	24.1
Tooth width h2	72
Tooth width h3	120.3
Tooth width L	23.6
Material	C45 Steel unless shown

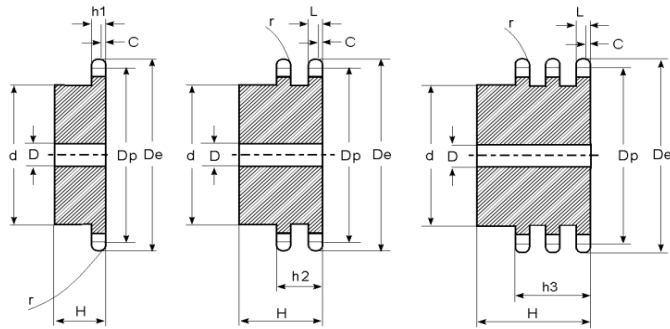
DIN 8187-ISO/R 606

Hero products (always available from stock)

GG25 cast iron

No. teeth	De	Dp	Simplex 24B1			Duplex 24B2			Triplex 24B3					
			RE code	d	D	H	RE code	d	D	H	RE code	d	D	H
8	115	99.55	876566	58	20	45	876594	58	25	95	876623	58	25	140
9	126.4	111.4	876567	70	20	45	876595	70	25	95	876624	70	25	140
10	138	123.29	876568	80	20	45	876596	80	25	95	876625	80	25	140
11	150	135.21	876569	90	25	50	876597	90	25	100	876626	90	25	150
12	162	147.22	876570	102	25	50	876598	102	25	100	876627	102	25	150
13	174.2	159.18	866134	114	25	50	876599	114	25	100	876628	114	25	150
14	186.2	171.22	876571	128	25	50	876600	128	25	100	876629	128	25	150
15	198.2	183.26	866135	140	25	50	866139	140	25	100	876630	140	25	150
16	210.3	195.3	876572	136	25	55	876601	*140	25	100	876631	*140	25	150
17	222.3	207.34	866136	*140	25	55	866140	*140	25	100	876632	*150	25	150
18	234.3	219.42	876573	*140	25	55	876602	*140	25	100	876633	*160	25	150
19	246.5	231.49	876574	*140	25	55	866141	*140	25	100	866143	*160	25	150
20	258.6	243.57	876575	*140	25	55	876603	*140	25	100	876634	*160	25	150
21	270.6	255.65	866137	*150	25	60	866142	*150	25	100	876635	*160	30	150
22	282.7	267.73	876576	*150	25	60	876604	*150	25	100	876636	*160	30	150
23	294.8	279.8	876577	*150	25	60	876605	*150	25	100	876637	*160	30	150
24	306.8	291.88	876578	*150	25	60	876606	*150	25	100	876638	*160	30	150
25	319	304	866138	*150	25	60	876607	*150	25	100	876639	*160	30	150
26	331	316.08	876579	*160	30	60	876608	*160	30	100	876640	*160	30	150
27	343.2	328.19	876580	*160	30	60	876609	*160	30	100	876641	*160	30	150
28	355.2	340.27	876581	*160	30	60	876610	*160	30	100	876642	*160	30	150
29	367.3	352.38	876582	*160	30	60	876611	*160	30	100	876643	*160	30	150
30	379.5	364.5	876583	130	40	85	876612	160	40	95	876644	180	60	150
31	391.6	376.62	876584	*160	30	60	876613	*170	30	100	876645	*170	40	150
32	403.7	388.69	876585	*160	30	60	876614	*170	30	100	876646	*170	40	150
33	415.8	400.81	876586	*160	30	60	876615	*170	30	100	876647	*170	40	150
34	427.8	412.93	876587	*160	30	60	876616	*170	30	100	876648	*170	40	150
35	440	425.04	876588	*160	30	60	876617	*170	30	100	876649	*170	40	150
36	452	437.16	876589	*160	30	60	876618	*170	30	100	876650	*170	40	150
37	464.2	449.27	876590	*160	30	60	876619	*170	30	100	876651	*170	40	150
38	476.2	461.39	876591	140	45	90	876620	180	45	100	876652	200	60	150
39	488.5	473.5	876592	*160	30	60	876621	*170	30	100	876653	*170	40	150
40	500.6	485.62	876593	*160	30	60	876622	*170	30	100	876654	*170	40	150
42	524.7	509.85	883265	*160	45	90	-	-	-	-	-	-	-	-
45	561.2	546.2	883266	140	45	90	883267	180	45	100	883268	200	60	150
46	573.3	558.32	883269	*160	30	90	-	-	-	-	-	-	-	-
48	597.4	582.55	883270	*160	45	90	-	-	-	-	-	-	-	-
50	621.7	606.78	883271	*160	45	90	883272	180	45	100	883273	200	70	150
55	682.3	667.4	883274	*160	45	100	-	-	-	-	-	-	-	-
57	706.5	691.73	883275	160	45	100	883276	200	55	110	883277	200	70	150
60	742.8	727.97	883278	*160	45	100	-	-	-	-	-	-	-	-
76	936.9	921.98	883279	170	45	100	883280	220	55	120	883281	220	70	150
95	1167.3	1152.33	883282	200	50	125	-	-	-	-	-	-	-	-

28B PILOT BORED SPROCKETS



Common dimensions (mm) (unless shown)	
Chain pitch x width	1"3/4 x 1"1/4
Radius width C	5
Tooth radius r	44
Tooth width h1	29.4
Tooth width h2	88.4
Tooth width h3	148
Tooth width L	28.8
Material	C45 Steel unless shown

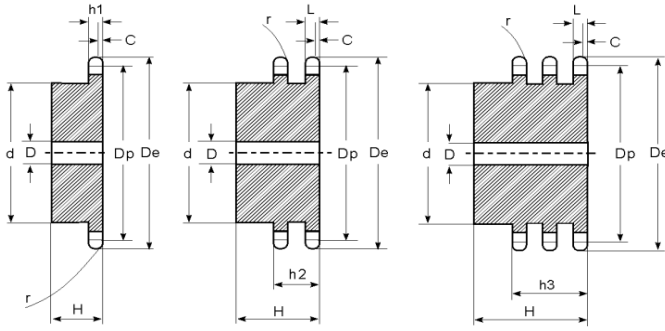
DIN 8187-ISO/R 606

Hero products (always available from stock)

GG25 cast iron

No. teeth	De	Dp	Simplex 28B1				Duplex 28B2				Triplex 28B3			
			RE code	d	D	H	RE code	d	D	H	RE code	d	D	H
8	132	116.15	876655	74	25	70	876688	74	25	120	876721	74	30	180
9	148.4	129.96	876656	88	25	70	876689	88	25	120	876722	88	30	180
10	162.3	143.85	876657	100	25	70	876690	100	25	120	876723	100	30	180
11	176.3	157.77	876658	112	25	70	876691	112	25	120	876724	112	30	180
12	189.5	171.74	876659	125	25	70	876692	125	25	120	876725	125	30	180
13	204.2	185.75	876660	*130	25	70	876693	*130	25	120	876726	*130	30	180
14	218.2	199.76	876661	*130	25	70	876694	*130	25	120	876727	*130	30	180
15	232.3	213.79	876662	*145	25	70	876695	*160	30	120	876728	*145	30	180
16	246.3	227.84	876663	*160	30	75	876696	*160	30	120	876729	*160	30	180
17	260.3	241.9	876664	*160	30	75	876697	*160	30	120	876730	*160	30	180
18	274	255.98	876665	*160	30	75	876698	*160	30	120	876731	*160	30	180
19	289	270.06	876666	*160	30	75	876699	*180	30	120	876732	*180	30	180
20	303	284.15	876667	*160	30	75	876700	*180	30	120	876733	*180	30	180
21	317	298.24	876668	*170	30	75	876701	*180	30	120	876734	*180	30	180
22	331	312.34	876669	*170	30	75	876702	*180	30	120	876735	*180	30	180
23	345	326.44	876670	*170	30	75	876703	*180	30	120	876736	*180	30	180
24	359	340.55	876671	*170	30	75	876704	*180	30	120	876737	*180	30	180
25	373	354.66	876672	*170	30	75	876705	*180	30	120	876738	*180	40	180
26	387	368.77	876673	*170	30	75	876706	*180	30	120	876739	*180	40	180
27	401.4	382.88	876674	*170	30	75	876707	*180	30	120	876740	*180	40	180
28	416	397	876675	*170	30	75	876708	*180	30	120	876741	*180	40	180
29	430	411.12	876676	*170	30	75	876709	*180	30	120	876742	*180	40	180
30	444	425.24	876677	*170	30	75	876710	*200	30	120	876743	*180	40	180
31	458	439.37	876678	*180	30	75	876711	*200	30	120	876744	*200	40	180
32	472	453.49	876679	*180	30	75	876712	*200	30	120	876745	*200	40	180
33	486	467.62	876680	*180	30	75	876713	*200	30	120	876746	*200	40	180
34	500	481.75	876681	*180	30	75	876714	*200	30	120	876747	*200	40	180
35	514	495.88	876682	*180	30	75	876715	*200	30	120	876748	*200	40	180
36	529	510.01	876683	*180	30	75	876716	*200	30	120	876749	*200	40	180
37	543	524.13	876684	*180	30	75	876717	*200	30	120	876750	*200	40	180
38	557	538.27	876685	*180	30	75	876718	*200	30	120	876751	*200	40	180
39	571	552.4	876686	*180	30	75	876719	*200	30	120	876752	*200	40	180
40	585	566.54	876687	*180	30	75	876720	*200	30	120	876753	*200	40	180
42	613	594.79	883283	*180	30	75	-	-	-	-	-	-	-	-
45	656	637.22	883284	*180	30	75	883285	200	30	120	883286	200	40	180
46	670	651.33	883287	*180	30	75	-	-	-	-	-	-	-	-
48	694	679.6	883288	*180	30	75	-	-	-	-	-	-	-	-
50	726	707.91	883289	*180	30	75	883290	200	30	120	-	-	-	-
55	754	778.59	883291	*180	30	75	-	-	-	-	-	-	-	-
57	825	806.9	883292	*180	30	75	883293	200	30	120	883294	200	40	180
60	869	849.32	883295	*180	30	75	-	-	-	-	-	-	-	-
76	1095	1075.62	883296	*180	30	75	883297	200	30	130	883298	200	40	190

32B PILOT BORED SPROCKETS



Common dimensions (mm) (unless shown)	
Chain pitch x width	2" x 1 1/4"
Radius width C	6
Tooth radius r	51
Tooth width h1	29.4
Tooth width h2	87.4
Tooth width h3	146
Tooth width L	28.8
Material	C45 Steel unless shown

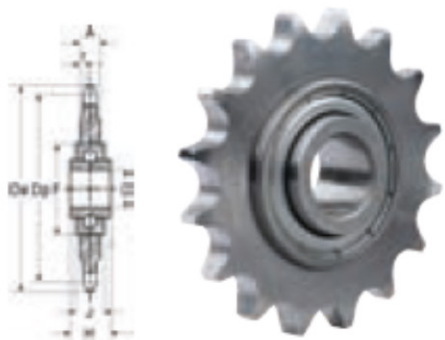
DIN 8187-ISO/R 606

Hero products (always available from stock)

GG25 cast iron

No. teeth	De	Dp	Simplex 32B1			Duplex 32B2			Triplex 32B3					
			RE code	d	D	H	RE code	d	D	H	RE code	d	D	H
8	153.2	132.74	876754	82	25	80	876781	82	30	120	876803	82	30	180
9	169	148.54	876755	88	25	80	876782	88	30	120	876804	88	30	180
10	185	164.39	876756	104	25	80	876783	104	30	120	876805	104	30	180
11	200.8	180.31	876757	120	30	80	876784	120	30	120	876806	120	30	180
12	216.8	196.29	876758	*133	30	80	876785	*133	30	120	876807	*133	30	180
13	232.8	212.29	876759	*145	30	80	876786	*145	30	120	876808	*145	30	180
14	248.8	228.29	876760	*145	30	80	876787	*145	30	120	876809	*145	30	180
15	264.8	244.3	876761	*145	30	80	876788	*160	30	120	876810	*160	30	180
16	280.9	260.4	876762	*160	30	90	876789	*160	30	120	876811	*160	30	180
17	296.9	276.46	876763	*160	30	90	876790	*180	30	120	876812	*180	30	180
18	313	292.55	876764	*160	30	90	876791	*180	30	120	876813	*180	30	180
19	329.1	308.66	876765	*160	30	90	876792	*200	30	120	876814	*200	30	180
20	345.2	324.71	876766	*180	30	90	876793	*200	30	120	876815	*200	30	180
21	361.3	340.82	876767	*180	30	90	876794	*200	30	120	876816	*200	40	180
22	377.5	356.98	876768	*180	30	90	876795	*200	30	120	876817	*200	40	180
23	393.6	373.08	876769	*180	30	90	876796	*200	30	120	876818	*200	40	180
24	409.7	389.18	876770	*180	30	90	876797	*200	30	120	876819	*200	40	180
25	425.8	405.33	876771	*180	30	90	876798	*200	30	120	876820	*200	40	180
26	441.9	421.44	876772	*180	30	90	876799	*200	30	120	876821	*200	40	180
27	458.1	437.59	876773	*180	30	90	876800	*200	30	120	876822	*200	40	180
28	474.2	453.69	876774	*180	30	90	876801	*200	30	120	876823	*200	40	180
29	490.4	469.85	876775	*180	30	90	876802	*200	30	120	876824	*200	40	180
30	506.5	486	876776	*180	30	90	-	-	-	-	-	-	-	-
32	538.8	518.27	876777	*180	30	90	-	-	-	-	-	-	-	-
35	589.5	566.71	876778	*180	30	90	-	-	-	-	-	-	-	-
38	635.5	615.16	876779	*180	30	90	-	-	-	-	-	-	-	-
40	670.3	647.47	876780	*180	30	90	-	-	-	-	-	-	-	-
45	751	728.24	883299	*180	30	100	883300	*200	30	120	883301	*200	40	180
50	831.8	809.04	883302	*180	30	100	883303	*200	30	120	883304	*200	40	180
57	945	922.16	883305	*180	30	100	883306	*200	30	120	883307	*200	40	180
60	993.4	970.65	883308	*200	30	110	-	-	-	-	-	-	-	-
76	1252	1229.27	883309	*200	30	110	883310	*200	30	130	883311	*238	40	180
40	500.6	485.62	876593	*160	30	60	876622	*170	30	100	876654	*170	40	150
42	524.7	509.85	883265	*160	45	90	-	-	-	-	-	-	-	-
45	561.2	546.2	883266	140	45	90	883267	180	45	100	883268	200	60	150
46	573.3	558.32	883269	*160	30	90	-	-	-	-	-	-	-	-
48	597.4	582.55	883270	*160	45	90	-	-	-	-	-	-	-	-
50	621.7	606.78	883271	*160	45	90	883272	180	45	100	883273	200	70	150
55	682.3	667.4	883274	*160	45	100	-	-	-	-	-	-	-	-
57	706.5	691.73	883275	160	45	100	883276	200	55	110	883277	200	70	150
60	742.8	727.97	883278	*160	45	100	-	-	-	-	-	-	-	-
76	936.9	921.98	883279	170	45	100	883280	220	55	120	883281	220	70	150

CHAIN IDLERS



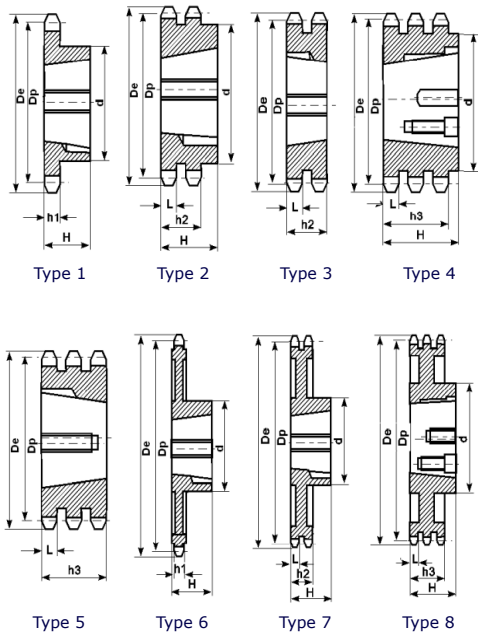
ISO no.	Pitch	Z mm	D mm	F mm	H mm	J mm	r mm	A mm	De	Dp	Ref.
06B1	3/8"	21	16	40	18.3	12	1	5.3	68	63.91	866211
08B1	1/2"	17	16	40	18.3	12	1.3	7.2	78	73.14	866212
10B1	5/8"	14	16	40	18.3	12	1.6	9.1	78	71.34	866213
10B1	5/8"	17	16	40	18.3	12	1.6	9.1	83	86.3	866214
12B1	3/4"	15	16	40	18.3	12	1.9	11.1	99.8	91.63	866215
16B1	1"	12	20	47	17.7	14	2.6	16.2	109	98.14	866216



Sprockets

Taper bored

06B TAPER BORED SPROCKETS



Common dimensions (mm) (unless shown)	
Chain pitch x width	3/8" x 7/32"
Radius width C	1
Tooth radius r	10
Tooth width h1	5.3
Tooth width h2	15.4
Tooth width h3	25.6
Tooth width L	5.2
Material	C45 steel unless shown

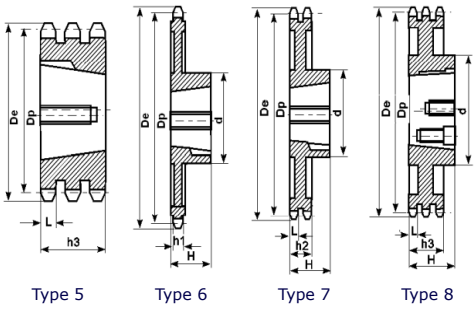
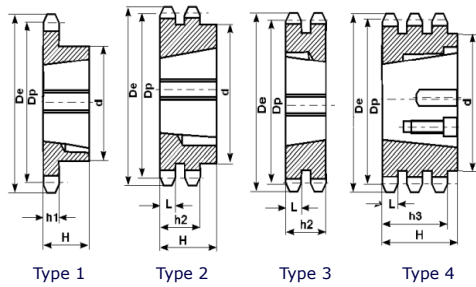
DIN 8187-ISO/R 606

No. teeth	De	Dp	Simplex 06B1					Duplex 06B2					Triplex 06B3				
			RE code	Bush	d	H	Type	RE code	Bush	d	H	Type	RE code	Bush	d	H	Type
17	55.3	51.83	857097	1008	45	22	1	857116	1008	41	22	2	857135	1008	40	25.6	5
18	58.3	54.85	857098	1008	45	22	1	857117	1008	43	22	2	-	-	-	-	-
19	61.3	57.87	857099	1008	45	22	1	857118	1008	46	22	2	857136	1008	46	25.6	5
20	64.3	60.89	857100	1008	46	22	1	857119	1008	48	22	2	-	-	-	-	-
21	68	63.91	857101	1008	46	22	1	857120	1008	49	22	2	857137	1008	52	25.6	5
22	71	66.93	857102	1108	50	22	1	857121	1108	52	22	2	-	-	-	-	-
23	73.5	69.95	857103	1210	63	25	1	857122	1210	59	25	2	857138	1210	58	25.6	5
24	77	72.97	857104	1210	63	25	1	857123	1210	61	25	2	-	-	-	-	-
25	80	76.02	857105	1210	63	25	1	857124	1210	64	25	2	857139	1210	64	25.6	5
26	83	79.02	857106	1210	63	25	1	857125	1210	65	25	2	-	-	-	-	-
27	86	82.02	857107	1210	63	25	1	857126	1210	70	25	2	857140	1210	70	25.6	5
28	89	85.07	857108	1210	63	25	1	857127	1210	70	25	2	-	-	-	-	-
30	94.7	91.12	857109	1210	63	25	1	857128	1210	75	25	2	857141	1615	79	38	4
38	119.5	115.35	857110	1210	70	25	1	857129	1610	80	25	2	857142	1615	90	38	4
45	140.7	136.55	857111	1210	70	25	1 or 6	857130	1610	80	25	2 or 7	-	-	-	-	-
57	176.9	172.91	857112	1210	70	25	1 or 6	857131	1610	80	25	2 or 7	-	-	-	-	-
76	234.9	230.49	857113	1210	70	25	1 or 6	857132	1610	80	25	2 or 7	-	-	-	-	-
95	292.5	288.08	857114	1210	80	25	1 or 6	857133	1610	90	25	2 or 7	-	-	-	-	-
114	349.5	345.68	857115	1215	80	38	1 or 6	857134	1610	95	38	2 or 7	-	-	-	-	-

Hero products (always available from stock)

GG25 cast iron

08B TAPER BORED SPROCKETS



Common dimensions (mm) (unless shown)	
Chain pitch x width	1/2" x 5/16"
Radius width C	1.3
Tooth radius r	13
Tooth width h1	7.2
Tooth width h2	21
Tooth width h3	34.9
Tooth width L	7
Material	C45 steel unless shown

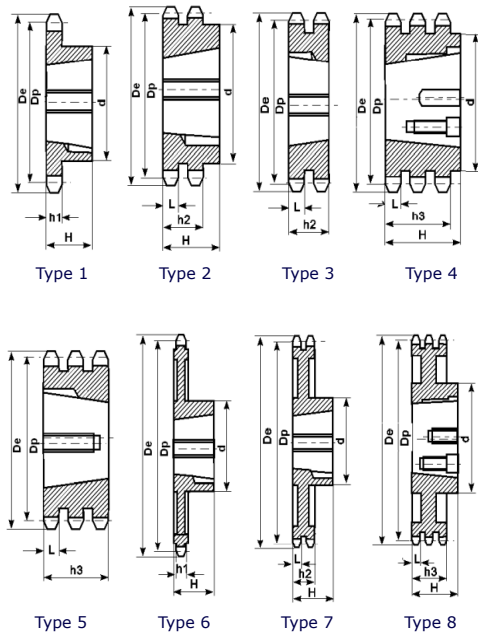
DIN 8187-ISO/R 606

No. teeth	De	Dp	Simplex 08B1					Duplex 08B2					Triplex 08B3				
			RE code	Bush	d	H	Type	RE code	Bush	d	H	Type	RE code	Bush	d	H	Type
15	65.5	61.9	857145	1008	45	22	1	857166	1008	46	22	2	857187	1008	46	34.9	5
16	69.5	65.1	857146	1108	50	22	1	857167	1108	50	22	2	-	-	-	-	-
17	73.6	69.11	857147	1210	60	25	1	857168	1210	56	25	2	857188	1210	54	34.9	5
18	77.8	73.14	857148	1210	60	25	1	857169	1210	60	25	2	-	-	-	-	-
19	81.7	77.16	857149	1210	63	25	1	857170	1210	62	25	2	857189	1210	62	34.9	5
20	85.8	81.19	857150	1610	71	25	1	857171	1610	66	25	2	-	-	-	-	-
21	89.7	85.22	857151	1610	71	25	1	857172	1610	70	25	2	857190	1610	70	34.9	5
22	93.8	89.24	857152	1610	71	25	1	857173	1610	76	25	2	-	-	-	-	-
23	98.2	93.27	857153	1610	76	25	1	857174	1610	79	25	2	857191	1610	70	34.9	5
24	101.8	97.29	857154	1610	76	25	1	857175	1610	84	25	2	-	-	-	-	-
25	105.8	101.33	857155	1610	76	25	1	857176	2012	87	32	2	857192	2012	80	34.9	5
26	110	105.36	857156	1610	76	25	1	857177	2012	87	32	2	-	-	-	-	-
27	114.4	109.4	857157	1610	76	25	1	857178	2012	87	32	2	857193	2012	85	34.9	5
28	118	113.42	857158	2012	90	32	1	857179	2012	87	32	2	-	-	-	-	-
30	126.1	121.5	857159	2012	90	32	1	857180	2012	87	32	2	857194	2012	100	34.9	5
38	158.6	153.8	857160	2012	90	32	1	857181	2012	100	32	2	857195	2012	120	34.9	5
45	188	182.07	857161	2012	100	32	1 or 6	857182	2012	100	32	2 or 7	-	-	-	-	-
57	236.4	230.54	857162	2012	100	32	1 or 6	857183	2012	100	32	2 or 7	-	-	-	-	-
76	313.3	307.33	857163	2012	100	32	1 or 6	857184	2012	100	32	2 or 7	-	-	-	-	-
95	390.1	384.11	857164	2012	100	32	1 or 6	857185	2012	100	32	2 or 7	-	-	-	-	-
114	466.9	460.9	857165	2517	110	45	1 or 6	857186	2012	110	45	2 or 7	-	-	-	-	-

Hero products (always available from stock)

GG25 cast iron

10B TAPER BORED SPROCKETS



Common dimensions (mm) (unless shown)	
Chain pitch x width	5/8" x 3/8"
Radius width C	1.6
Tooth radius r	16
Tooth width h1	9.1
Tooth width h2	25.5
Tooth width h3	42.1
Tooth width L	9
Material	C45 steel unless shown

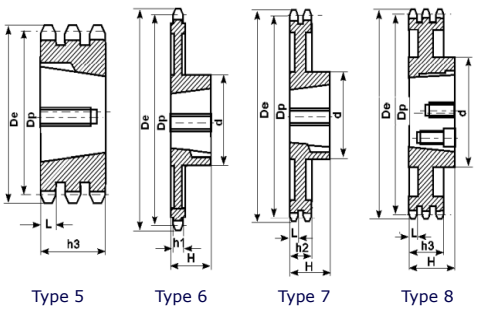
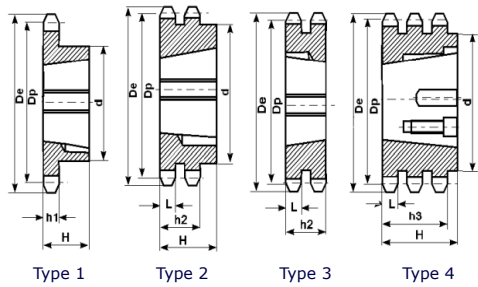
DIN 8187-ISO/R 606

No. teeth	De	Dp	Simplex 10B1					Duplex 10B2					Triplex 10B3				
			RE code	Bush	d	H	Type	RE code	Bush	d	H	Type	RE code	Bush	d	H	Type
13	73	66.32	857197	1008	47	22	1	857220	1008	49	25.5	3	-	-	-	-	-
14	78	71.34	857198	1108	52	22	1	-	-	-	-	-	-	-	-	-	-
15	83	76.36	857199	1210	60	25	1	857221	1210	59	25.5	3	857238	1210	59	42.1	5
16	88	81.37	857200	1610	70	25	1	857222	1610	64	25.5	3	-	-	-	-	-
17	93	86.36	857201	1610	71	25	1	857223	1610	69	25.5	3	857239	1210	69	42.1	5
18	98.3	91.42	857202	1610	75	25	1	857224	1610	74	25.5	3	-	-	-	-	-
19	103.3	96.45	857203	1610	75	25	1	857225	1610	79	25.5	3	857240	1615	79	42.1	5
20	108.4	101.49	857204	1610	75	25	1	857226	1610	84	25.5	3	-	-	-	-	-
21	113.4	106.52	857205	1610	76	25	1	857227	1610	85	25.5	3	857241	1615	85	42.1	5
22	118	111.55	857206	1610	76	25	1	857228	1610	90	25.5	3	-	-	-	-	-
23	123.4	116.58	857207	1610	76	25	1	857229	1610	90	25.5	3	857242	2012	95	42.1	5
24	128.3	121.62	857208	1610	90	32	1	857230	2012	90	32	2	-	-	-	-	-
25	134	126.66	857209	2012	90	32	1	857231	2012	90	32	2	857243	2517	105	45	4
26	139	131.7	857210	2012	90	32	1	857232	2012	90	32	2	-	-	-	-	-
27	144	136.75	857211	2012	90	32	1	857233	2012	90	32	2	857244	2517	110	45	4
28	148.7	141.78	857212	2012	90	32	1	857234	2012	90	32	2	-	-	-	-	-
30	158.8	151.87	857213	2012	90	32	1	857235	2012	90	32	2	857245	2517	120	45	4
38	199.2	192.24	857214	2012	100	32	1	857236	2012	108	45	2	-	-	-	-	-
45	235	227.58	857215	2012	100	32	1 or 6	857237	2012	-	45	2	-	-	-	-	-
57	296	288.18	857216	2012	100	32	1 or 6	-	-	-	-	-	-	-	-	-	-
76	392.1	384.16	857217	2012	100	32	1 or 6	-	-	-	-	-	-	-	-	-	-
95	488.5	480.14	857218	2517	110	45	1 or 6	-	-	-	-	-	-	-	-	-	-
114	584.1	576.13	857219	2517	110	45	1 or 6	-	-	-	-	-	-	-	-	-	-

Hero products (always available from stock)

GG25 cast iron

12B TAPER BORED SPROCKETS



Common dimensions (mm) (unless shown)	
Chain pitch x width	3/4" x 7/16"
Radius width C	2
Tooth radius r	19
Tooth width h1	11.1
Tooth width h2	30.3
Tooth width h3	49.8
Tooth width L	10.8
Material	C45 steel unless shown

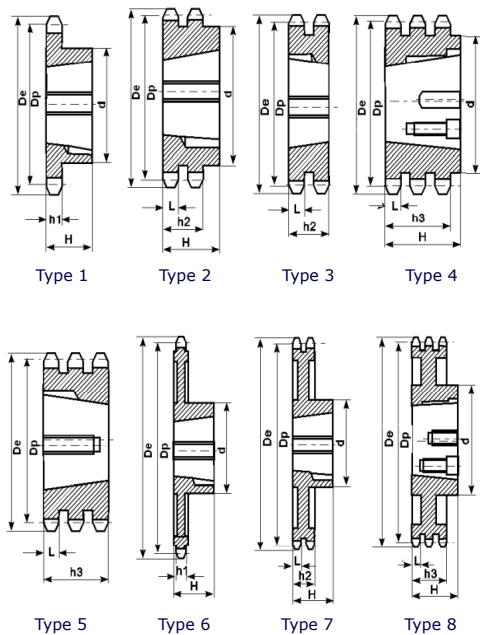
DIN 8187-ISO/R 606

No. teeth	De	Dp	Simplex 12B1					Duplex 12B2					Triplex 12B3					
			RE code	Bush	d	H	Type	RE code	Bush	d	H	Type	RE code	Bush	d	H	Type	
13	87.5	79.59	857247	1210	60	25	1	-	-	-	-	-	-	-	-	-	-	-
14	93.6	85.61	857248	1610	70	25	1	-	-	-	-	-	-	-	-	-	-	-
15	99.8	91.63	857249	1610	70	25	1	857270	1610	71	30.3	3	857291	1615	71	49.8	5	-
16	105.5	97.65	857250	1610	75	25	1	857271	1610	77	30.3	3	-	-	-	-	-	-
17	111.5	103.67	857251	1610	76	25	1	857272	1610	83	30.3	3	857292	2012	83	49.8	5	-
18	118	109.71	857252	2012	90	32	1	857273	2012	90	32	2	-	-	-	-	-	-
19	124.2	115.75	857253	2012	90	32	1	857274	2012	90	32	2	857293	2012	95	49.8	5	-
20	129.7	121.78	857254	2012	90	32	1	857275	2517	108	45	2	-	-	-	-	-	-
21	136	127.82	857255	2517	102	45	1	857276	2517	108	45	2	857294	2517	100	49.8	5	-
22	141.8	133.86	857256	2517	102	45	1	857277	2517	108	45	2	-	-	-	-	-	-
23	149	139.9	857257	2517	108	45	1	857278	2517	108	45	2	857295	2517	110	49.8	5	-
24	153.9	145.94	857258	2517	108	45	1	857279	2517	108	45	2	-	-	-	-	-	-
25	160	152	857259	2517	108	45	1	857280	2517	108	45	2	857296	2517		49.8	5	-
26	165.9	158.04	857260	2517	108	45	1	857281	2517	108	45	2	-	-	-	-	-	-
27	172.3	164	857261	2517	108	45	1	857282	2517	108	45	2	857297	3020	140	51	4	-
28	178	170.13	857262	2517	108	45	1	857283	2517	108	45	2	-	-	-	-	-	-
30	190.5	182.25	857263	2517	108	45	1	857284	2517	108	45	2	857298	3020	140	51	4	-
38	239	230.69	857264	2517	108	45	1	857285	3020	140	51	2	857299	3020	140	51	4	-
45	282.5	273.1	857265	2517	108	45	1 or 6	857286	3020	140	51	2 or 7	-	-	-	-	-	-
57	355.4	345.81	857266	2517	108	45	1 or 6	857287	3020	140	51	2 or 7	857300	3020	140	51	4 or 8	-
76	469.9	460.99	857267	2517	108	45	1 or 6	857288	3020	140	51	2 or 7	857301	3020	140	51	4 or 8	-
95	585.1	576.17	857268	2517	108	45	1 or 6	857289	3020	140	51	2 or 7	857302	3020	140	76	4 or 8	-
114	700.6	691.36	857269	2525	108	64	1 or 6	857290	3020	140	76	2 or 7	857303	3030	140	76	4 or 8	-

Hero products (always available from stock)

GG25 cast iron

16B TAPER BORED SPROCKETS



Common dimensions (mm) (unless shown)	
Chain pitch x width	1" x 17.02mm
Radius width C	2.5
Tooth radius r	26
Tooth width h1	16.2
Tooth width h2	47.7
Tooth width h3	79.6
Tooth width L	15.8
Material	C45 steel unless shown

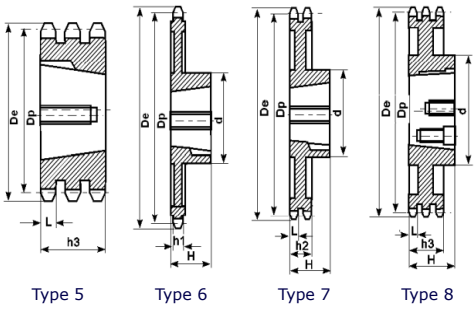
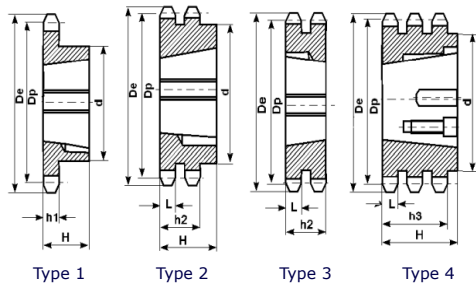
DIN 8187-ISO/R 606

No. teeth	De	Dp	Simplex 16B1					Duplex 16B2					Triplex 16B3					
			RE code	Bush	d	H	Type	RE code	Bush	d	H	Type	RE code	Bush	d	H	Type	
13	117	106.12	857305	1610	73	25	1	-	-	-	-	-	-	-	-	-	-	-
14	125	114.15	857306	1610	76	25	1	-	-	-	-	-	-	-	-	-	-	-
15	133	122.17	857307	1610	76	25	1	857328	2012	96	47.7	3	883123	2517	-	79.6	5	
16	141	130.2	857308	2012	90	32	1	857329	2517	104	47.7	3	-	-	-	-	-	
17	149	138.22	857309	2012	90	32	1	857330	2517	112	47.7	3	857349	3020	112	79.6	5	
18	157	146.28	857310	2517	108	45	1	857331	2517	120	47.7	3	-	-	-	-	-	
19	165.2	154.33	857311	2517	108	45	1	857332	2517	128	47.7	3	857350	3020	128	79.6	5	
20	173.2	162.38	857312	2517	108	45	1	857333	2517	130	47.7	3	-	-	-	-	-	
21	181.2	170.43	857313	2517	110	45	1	857334	3020	140	51	2	857351	3525	140	79.6	5	
22	189.3	178.48	857314	2517	110	45	1	857335	3020	140	51	2	-	-	-	-	-	
23	197.5	186.53	857315	2517	110	45	1	857336	3020	140	51	2	857352	3525	140	79.6	5	
24	205.5	194.59	857316	2517	110	45	1	857337	3020	140	51	2	-	-	-	-	-	
25	213.5	202.66	857317	2517	110	45	1	857338	3020	140	51	2	857353	3525	140	79.6	5	
26	221.6	210.72	857318	2517	110	45	1	857339	3020	140	51	2	-	-	-	-	-	
27	229.6	218.79	857319	2517	110	45	1	857340	3020	140	51	2	857354	3525	140	79.6	5	
28	237.7	226.85	857320	2517	110	45	1	857341	3020	140	51	2	883124	3525	140	79.6	5	
30	254	243	857321	3020	140	51	1	857342	3020	140	51	2	857355	3525	140	79.6	5	
38	320.7	307.59	857322	3020	140	51	1	857343	3020	140	51	2	857356	3525	175	79.6	5	
45	377.1	364.13	857323	3020	140	51	1 or 6	857344	3020	140	51	2 or 7	857357	4030	216	79.6	5 or 8	
57	474	461.07	857324	3020	140	51	1 or 6	857345	3525	175	65	2 or 7	857358	4030	216	79.6	5 or 8	
76	627	614.65	857325	3020	140	51	1 or 6	857346	3525	175	65	2 or 7	857359	4030	216	79.6	5 or 8	
95	781.1	768.22	857326	3020	140	51	1 or 6	857347	3525	215	65	2 or 7	857360	4030	240	79.6	5 or 8	
114	934.3	921.81	857327	3030	140	76	1 or 6	857348	4040	215	102	2 or 7	857361	4545	240	115	4 or 6	

Hero products (always available from stock)

GG25 cast iron

20B TAPER BORED SPROCKETS



Common dimensions (mm) (unless shown)	
Chain pitch x width	1"1/4 x 3/4
Radius width C	3.5
Tooth radius r	32
Tooth width h1	18.5
Tooth width h2	-
Tooth width h3	-
Tooth width L	-
Material	C45 steel unless shown

DIN 8187-ISO/R 606

			Simplex 20B1				
No. teeth	De	Dp	RE code	Bush	d	H	Type
13	147.8	132.65	857363	2012	90	32	1
15	167.9	152.72	857364	2517	108	45	1
17	187.9	172.78	857365	2517	108	45	1
19	208.1	192.91	857366	2517	108	45	1
21	228.2	213.04	857367	2517	108	45	1
23	248.3	233.17	857368	2517	108	45	1
25	268.5	253.33	857369	2517	108	45	1
27	288.6	273.4	857370	3020	150	51	1
30	318.9	303.75	857371	3020	150	51	1
38	399.6	384.49	857372	3020	160	51	1 or 6
45	470.3	455.17	857373	3020	160	51	1 or 6
57	591.5	576.36	857374	3020	160	51	1 or 6
76	783.5	768.32	857375	3020	160	51	1 or 6

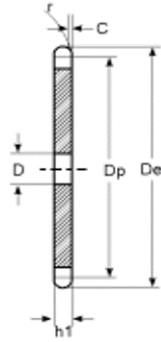
Hero products (always available from stock)

GG25 cast iron



Plate wheels





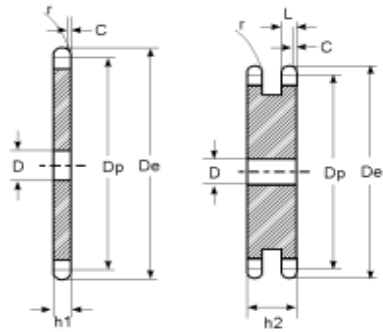
Common dimensions (mm) (unless shown)	
Chain pitch x width	6 x 2.8 mm
Radius width C	0.7
Tooth radius r	4
Tooth width h1	2.6
Tooth width h2	-
Tooth width h3	-
Tooth width L	-
Material	C45 steel unless shown

DIN 8187-ISO/R 606

No. teeth	De	Dp	Simplex 04B1	
			RE code	D
8	18	15.67	877177	5
9	19.9	17.54	877178	5
10	21.7	19.42	877179	6
11	23.6	21.3	877180	6
12	25.4	23.18	877181	6
13	27.3	25.05	877182	8
14	29.2	26.96	877183	8
15	31.1	28.86	877184	8
16	33	30.76	877185	8
17	35	32.65	877186	8
18	36.9	34.55	877187	8
19	38.8	36.44	877188	8
20	40.7	38.34	877189	8
21	42.6	40.25	877190	8
22	44.5	42.16	877191	8
23	46.4	44.06	877192	8
24	48.3	45.96	877193	8
25	50.2	47.87	877194	8
26	52.1	49.77	877195	8
27	54	51.67	877196	8
28	55.9	53.58	877197	8
29	57.8	55.5	877198	8
30	59.8	57.42	877199	8
31	61.7	59.31	877200	8
32	63.6	61.21	877201	8
33	65.5	63.11	877202	8
34	67.4	65.02	877203	8
35	69.3	66.93	877204	8
36	71.2	68.84	877205	8
37	73.1	70.75	877206	8
38	75	72.66	877207	8
39	76.9	74.56	877208	8
40	78.9	76.47	877209	8
41	80.8	78.38	877210	10
42	82.7	80.28	877211	10
43	84.7	82.19	877212	10

No. teeth	De	Dp	Simplex 04B1	
			RE code	D
44	86.6	84.1	877213	10
45	88.5	86.01	877214	10
46	90.4	87.92	877215	10
47	92.3	89.93	877216	10
48	94.2	91.74	877217	10
49	96.1	93.64	877218	10
50	98	95.55	877219	10
51	99.9	97.46	877220	12
52	101.8	99.37	877221	12
53	103.7	101.27	877222	12
54	105.6	103.17	877223	12
55	107.6	105.08	877224	12
56	109.5	107	877225	12
57	111.4	108.93	877226	12
58	113.3	110.82	877227	12
59	115.2	112.71	877228	12
60	117.1	114.62	877229	12
62	120.9	118.45	877230	14
64	124.7	122.27	877231	14
65	126.6	124.18	877232	14
66	128.5	126.09	877233	14
68	132.4	129.91	877234	14
70	136.2	133.73	877235	14
72	140	137.55	877236	16
75	145.7	143.28	877237	16
76	147.6	145.19	877238	16
78	151.5	149.01	877239	16
80	155.3	152.82	877240	16
85	164.8	162.37	877241	16
90	174.4	171.92	877242	16
95	183.9	181.47	877243	16
100	193.5	191.01	877244	16
110	212.6	210.11	877245	16
114	220.2	217.75	877246	16
120	231.7	229.2	877247	16
125	241.2	238.75	877248	16

05B PLATEWHEELS

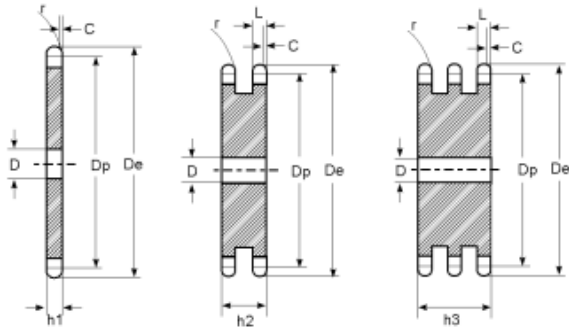


Common dimensions (mm) (unless shown)	
Chain pitch x width	8 x 3.0 mm
Radius width C	1
Tooth radius r	8
Tooth width h1	2.8
Tooth width h2	8.3
Tooth width h3	-
Tooth width L	2.7
Material	C45 steel unless shown

DIN 8187-ISO/R 606

No. teeth	De	Dp	Simplex		Duplex	
			RE code	D	RE code	D
8	24	20.9	877321	6	877393	6
9	26.6	23.39	877322	6	877394	6
10	29.2	25.89	877323	8	877395	8
11	31.7	28.39	877324	8	877396	8
12	34.2	30.91	877325	8	877397	8
13	36.7	33.42	877326	8	877398	8
14	39.2	35.95	877327	8	877399	8
15	41.7	38.48	877328	8	877400	8
16	44.3	41.01	877329	8	877401	10
17	46.8	43.53	877330	8	877402	10
18	49.3	46.07	877331	8	877403	10
19	51.9	48.61	877332	8	877404	10
20	54.4	51.14	877333	8	877405	10
21	57	53.68	877334	8	877406	10
22	59.5	56.21	877335	8	877407	10
23	62	58.75	877336	8	877408	10
24	64.6	61.29	877337	8	877409	10
25	67.5	63.83	877338	8	877410	10
26	69.5	66.37	877339	10	877411	12
27	72.2	68.91	877340	10	877412	12
28	74.8	71.45	877341	10	877413	12
29	77.3	73.99	877342	10	877414	12
30	79.8	76.53	877343	10	877415	12
31	82.4	79.08	877344	10	877416	12
32	84.9	81.61	877345	10	877417	12
33	87.5	84.16	877346	10	877418	12
34	90	86.7	877347	10	877419	12
35	92.5	89.25	877348	10	877420	12
36	95	91.79	877349	10	877421	12
37	97.6	94.33	877350	10	877422	12
38	100.2	96.88	877351	10	877423	12
39	102.7	99.42	877352	10	877424	12
40	105.3	101.97	877353	10	877425	12
41	107.8	104.51	877354	12	877426	14
42	110.4	107.05	877355	12	877427	14
43	112.9	109.6	877356	12	877428	14

No. teeth	De	Dp	Simplex		Duplex	
			RE code	D	RE code	D
44	115.5	112.14	877357	12	877429	14
45	118	114.69	877358	12	877430	14
46	120.6	117.23	877359	12	877431	14
47	123.1	119.77	877360	12	877432	14
48	125.6	122.32	877361	12	877433	14
49	128.2	124.86	877362	12	877434	14
50	130.7	127.41	877363	12	877435	14
51	133.3	129.95	877364	14	877436	16
52	135.8	132.49	877365	14	877437	16
53	138.4	135.04	877366	14	877438	16
54	140.9	137.59	877367	14	877439	16
55	143.5	140.13	877368	14	877440	16
56	146	142.68	877369	14	877441	16
57	148.6	145.22	877370	14	877442	16
58	151	147.77	877371	14	877443	16
59	153.6	150.31	877372	14	877444	16
60	156.2	152.86	877373	14	877445	16
62	162	157.95	877374	16	877446	20
64	167.1	163.04	877375	16	877447	20
65	169.6	165.58	877376	16	877448	20
66	172.2	168.13	877377	16	877449	20
68	177.3	173.22	877378	16	877450	20
70	182.4	178.31	877379	16	877451	20
72	187.5	183.4	877380	20	877452	20
75	195.1	191.04	877381	20	877453	20
76	197.7	193.59	877382	20	877454	20
78	202.8	198.68	877383	20	877455	20
80	207.9	203.77	877384	20	877456	20
85	220.6	216.5	877385	20	877457	20
90	233.4	229.23	877386	20	877458	20
95	246.1	241.96	877387	20	877459	20
100	258.9	254.68	877388	20	877460	20
110	284.3	280.15	877389	20	877461	20
114	294.5	290.33	877390	20	877462	20
120	310	305.61	877391	20	877463	20
125	322.5	318.34	877392	20	877464	20



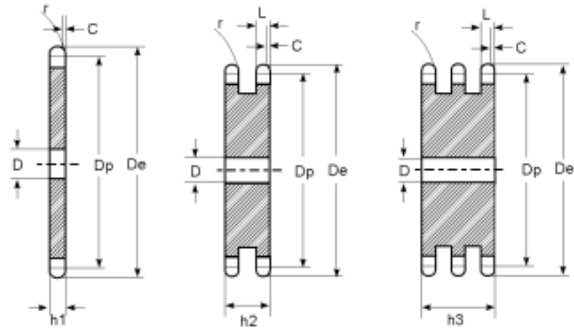
Common dimensions (mm) (unless shown)	
Chain pitch x width	3/8" x 7/32"
Radius width C	1
Tooth radius r	10
Tooth width h1	5.3
Tooth width h2	15.4
Tooth width h3	25.6
Tooth width L	5.2
Material	C45 steel unless shown

DIN 8187-ISO/R 606

No. teeth	De	Dp	Simplex		Duplex		Triplex	
			RE code	D	RE code	D	RE code	D
8	28	24.89	877465	6	877528	8	877600	8
9	31	27.85	877466	8	877529	8	877601	8
10	34	30.82	866145	7	877530	8	877602	10
11	37	33.8	877467	8	877531	10	877603	10
12	40	36.8	877468	8	877532	10	877604	10
13	43	39.8	866146	8	877533	10	877605	10
14	46.3	42.8	877469	8	877534	10	877606	12
15	49.3	45.81	877470	8	877535	10	877607	12
16	52.3	48.82	866147	10	877536	12	877608	12
17	55.3	51.83	866148	10	877537	12	877609	12
18	58.3	54.85	877471	10	877538	12	877610	12
19	61.3	57.87	877472	10	877539	12	877611	12
20	64.3	60.89	866149	10	877540	12	877612	12
21	68	63.91	877473	10	877541	12	877613	14
22	71	66.93	877474	10	877542	12	877614	14
23	73.5	69.95	877475	10	877543	12	877615	14
24	77	72.97	877476	10	877544	12	877616	14
25	80	76.02	877477	10	877545	12	877617	14
26	83	79.02	877478	10	877546	12	877618	14
27	86	82.02	877479	10	877547	12	877619	14
28	89	85.07	877480	10	877548	12	877620	14
29	92	88.09	877481	10	877549	12	877621	14
30	94.7	91.12	877482	10	877550	12	877622	14
31	98.3	94.15	877483	12	877551	14	877623	16
32	101.3	97.17	877484	12	877552	14	877624	16
33	104.3	100.2	877485	12	877553	14	877625	16
34	107.3	103.23	877486	12	877554	14	877626	16
35	110.4	106.26	877487	12	877555	14	877627	16
36	113.4	109.29	877488	12	877556	14	877628	16
37	116.4	112.32	877489	12	877557	14	877629	16
38	119.5	115.34	866150	12	877558	14	877630	16
39	122.5	118.37	877490	12	877559	14	877631	16
40	125.5	121.4	877491	12	877560	14	877632	16
41	128.5	124.43	877492	16	877561	16	877633	16
42	131.6	127.46	866151	16	877562	16	877634	16
43	134.6	130.49	877493	16	877563	16	877635	16

No. teeth	De	Dp	Simplex		Duplex		Triplex	
			RE code	D	RE code	D	RE code	D
44	137.6	133.52	877494	16	877564	16	877636	16
45	140.7	136.55	877495	16	877565	16	877637	16
46	143.7	139.58	877496	16	877566	16	877638	16
47	146.7	142.61	877497	16	877567	16	877639	16
48	149.7	145.64	877498	16	877568	16	877640	16
49	152.7	148.66	877499	16	877569	16	877641	16
50	155.7	151.69	877500	16	877570	16	877642	16
51	158.7	154.72	877501	16	877571	16	877643	20
52	161.8	157.75	877502	16	877572	16	877644	20
53	164.8	160.78	877503	16	877573	16	877645	20
54	167.8	163.82	877504	16	877574	16	877646	20
55	170.8	166.85	877505	16	877575	16	877647	20
56	173.8	169.88	877506	16	877576	16	877648	20
57	176.9	172.91	877507	16	877577	16	877649	20
58	179.9	175.93	877508	16	877578	16	877650	20
59	183	178.96	877509	16	877579	16	877651	20
60	186	181.99	866152	16	877580	16	877652	20
62	192.1	188.06	877510	20	877581	20	877653	20
64	198.2	194.12	877511	20	877582	20	877654	20
65	201.6	197.15	877512	20	877583	20	877655	20
66	204.6	200.18	877513	20	877584	20	877656	25
68	210.7	206.24	877514	20	877585	20	877657	25
70	216.7	212.3	866153	20	877586	20	877658	25
70	222.8	218.36634	877515	20	877587	20	877659	25
72	231.9	227.409375	877516	20	877588	20	877660	25
75	234.9	230.48976	877517	20	877589	20	877661	25
76	241	236.5524225	877518	20	877590	20	877662	25
78	247.1	242.6141325	877519	20	877591	20	877663	25
80	262.2	257.72745	877520	20	877592	20	877664	25
85	277.4	272.9264925	877521	20	877593	20	877665	25
90	292.5	288.04362	877522	20	877594	20	877666	25
95	307.7	303.239805	877523	20	877595	20	877667	25
100	338	333.55407	877524	20	877596	20	877668	25
110	349.5	345.6803475	877525	20	877597	20	877669	25
114	368.3	363.87024	877526	20	877598	20	877670	25
120	383.5	378.9976545	877527	20	877599	20	877671	25

08B PLATEWHEELS



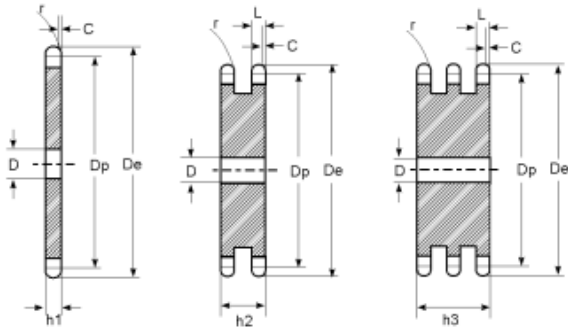
Common dimensions (mm) (unless shown)	
Chain pitch x width	1/2" x 1/8"
Radius width C	1.3
Tooth radius r	13
Tooth width h1	7.2
Tooth width h2	21
Tooth width h3	34.9
Tooth width L	7
Material	C45 steel unless shown

DIN 8187-ISO/R 606

No. teeth	De	Dp	Simplex		Duplex		Triplex	
			RE code	D	RE code	D	RE code	D
8	37.20	33.18	866154	8	877929	10	878000	10
9	41.00	37.13	877882	8	877930	10	878001	10
10	45.20	41.10	866155	8	877931	10	878002	10
11	48.70	44.62	877883	10	877932	10	878003	12
12	53.00	49.07	866156	10	877933	10	878004	12
13	57.40	53.06	866157	10	877934	10	878005	12
14	61.80	57.07	866158	10	866179	10	878006	12
15	65.50	61.09	866159	10	877935	10	878007	12
16	69.50	65.10	866160	10	877936	12	878008	16
17	73.60	69.11	866161	10	877937	12	866180	16
18	77.80	73.14	877884	10	877938	12	878009	16
19	81.70	77.16	866162	10	877939	12	878010	16
20	85.80	81.18	877885	10	877940	12	878011	16
21	89.70	85.22	866163	12	877941	16	866181	16
22	93.80	89.24	866164	12	877942	16	878012	16
23	98.20	93.27	866165	12	877943	16	878013	16
24	101.80	97.29	866166	12	877944	16	878014	16
25	105.80	101.33	866167	12	877945	16	866182	16
26	110.00	105.36	866168	16	877946	16	878015	16
27	114.00	109.40	866169	16	877947	16	878016	16
28	118.00	113.42	866170	16	877948	16	878017	16
29	122.00	117.29	877886	16	877949	16	878018	16
30	126.10	121.50	866171	16	877950	16	878019	16
31	130.20	125.54	866172	16	877951	16	878020	20
32	134.30	129.57	877887	16	877952	16	878021	20
33	138.40	133.45	877888	16	877953	16	878022	20
34	142.60	137.64	877889	16	877954	16	878023	20
35	146.70	141.68	866173	16	877955	16	878024	20
36	151.00	145.72	866174	16	877956	20	878025	20
37	154.60	149.62	877890	16	877957	20	878026	20
38	158.60	153.80	866175	16	877958	20	878027	20
39	162.70	157.70	877891	16	877959	20	878028	20
40	166.80	161.87	866176	16	877960	20	878029	20
41	171.40	165.78	877892	20	877961	20	878030	25
42	175.40	169.95	877893	20	877962	20	878031	25
43	179.70	173.87	877894	20	877963	20	878032	25

No. teeth	De	Dp	Simplex		Duplex		Triplex	
			RE code	D	RE code	D	RE code	D
44	183.80	178.02	877895	20	877964	20	878033	25
45	188.00	181.95	877896	20	877965	20	878034	25
46	192.10	186.10	877897	20	877966	20	878035	25
47	196.20	190.04	877898	20	877967	20	878036	25
48	200.30	194.18	877899	20	877968	20	878037	25
49	204.30	198.12	877900	20	877969	20	878038	25
50	208.30	202.26	877901	20	877970	20	878039	25
51	212.10	206.20	877902	20	877971	25	878040	25
52	216.10	210.34	877903	20	877972	25	878041	25
53	220.20	214.29	877904	20	877973	25	878042	25
54	224.10	218.42	877905	20	877974	25	878043	25
55	228.10	222.46	866177	20	877975	25	878044	25
56	232.20	226.50	877906	20	877976	25	878045	25
57	236.40	230.54	877907	20	877977	25	878046	25
58	240.50	234.58	877908	20	877978	25	878047	25
59	244.50	238.54	877909	20	877979	25	878048	25
60	248.60	242.66	866178	20	877980	25	878049	25
62	256.90	250.74	877910	20	877981	25	878050	25
64	265.10	258.83	877911	25	877982	25	878051	25
65	269.00	262.79	877912	25	877983	25	878052	25
66	273.00	266.91	877913	25	877984	25	878053	25
68	281.00	274.99	877914	25	877985	25	878054	25
70	289.00	283.07	877915	25	877986	25	878055	25
72	297.20	291.16	877916	25	877987	25	878056	25
75	309.20	303.21	877917	25	877988	25	878057	25
76	313.20	307.32	877918	25	877989	25	878058	25
78	321.40	315.40	877919	25	877990	25	878059	25
80	329.40	323.49	877920	25	877991	25	878060	25
85	349.00	343.64	877921	25	877992	25	878061	25
90	369.90	363.90	877922	25	877993	25	878062	25
95	390.10	384.06	877923	25	877994	25	878063	25
100	410.30	404.32	877924	25	877995	25	878064	25
110	450.70	444.74	877925	25	877996	25	878065	25
114	466.90	460.91	877926	25	877997	25	878066	25
120	491.20	485.16	877927	25	877998	25	878067	25
125	511.30	505.33	877928	25	877999	25	878068	25

10B PLATEWHEELS



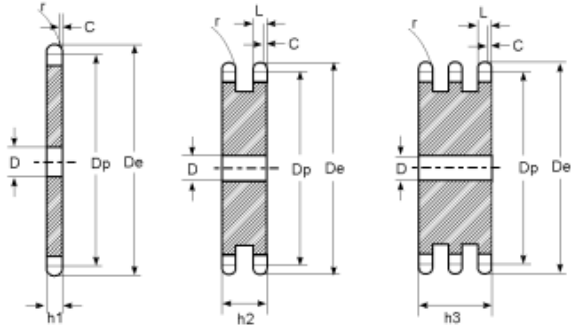
Common dimensions (mm) (unless shown)	
Chain pitch x width	5/8" x 3/8"
Radius width C	1.6
Tooth radius r	16
Tooth width h1	9.1
Tooth width h2	25.5
Tooth width h3	42.1
Tooth width L	9
Material	C45 steel unless shown

DIN 8187-ISO/R 606

No. teeth	De	Dp	Simplex		Duplex		Triplex	
			RE code	D	RE code	D	RE code	D
8	47.00	41.48	878069	10	878133	10	878203	12
9	52.60	45.71	878070	10	878134	10	878204	12
10	57.50	51.37	866183	10	878135	10	878205	12
11	63.00	55.77	878071	10	878136	10	878206	12
12	68.00	61.34	878072	10	878137	10	878207	12
13	73.00	66.32	878073	10	878138	10	878208	12
14	78.00	71.34	866184	10	866191	12	883313	12
15	83.00	75.94	878074	12	878139	12	866193	12
16	88.00	81.37	866185	12	878140	12	878209	16
17	93.00	86.39	866186	12	866192	12	883314	16
18	98.30	91.42	878075	12	878141	12	878210	16
19	103.30	96.12	878076	12	878142	12	878211	16
20	108.40	101.49	878077	12	878143	12	878212	16
21	113.40	106.21	878078	12	878144	16	878213	16
22	118.00	111.55	878079	16	878145	16	878214	16
23	123.40	116.58	866187	12	878146	16	878215	16
24	128.30	121.62	878080	16	878147	16	878216	16
25	134.00	126.66	866188	16	878148	16	878217	16
26	139.00	131.70	878081	16	878149	16	878218	20
27	144.00	136.75	866189	16	878150	16	878219	20
28	148.70	141.79	878082	16	878151	16	878220	20
29	153.80	146.61	878083	16	878152	16	878221	20
30	158.80	151.87	866190	16	878153	16	878222	20
31	163.90	156.71	878084	16	878154	20	878223	20
32	168.90	161.96	878085	16	878155	20	878224	20
33	174.50	166.82	878086	16	878156	20	878225	20
34	179.00	172.05	878087	16	878157	20	878226	20
35	184.10	176.92	878088	20	878158	20	878227	20
36	189.10	182.14	878089	20	878159	20	878228	25
37	194.20	187.02	878090	20	878160	20	878229	25
38	199.20	192.24	878091	20	878161	20	878230	25
39	204.20	197.13	878092	20	878162	20	878231	25
40	209.30	202.33	878093	20	878163	20	878232	25
41	214.80	207.23	878094	20	878164	20	878233	25
42	219.90	212.43	878095	20	878165	20	878234	25
43	224.90	217.34	878096	20	878166	20	878235	25

No. teeth	De	Dp	Simplex		Duplex		Triplex	
			RE code	D	RE code	D	RE code	D
44	230.00	222.53	878097	20	878167	20	878236	25
45	235.00	227.44	878098	20	878168	20	878237	25
46	240.10	232.63	878099	20	878169	25	878238	25
47	245.10	237.54	878100	20	878170	25	878239	25
48	250.20	242.73	878101	20	878171	25	878240	25
49	255.20	247.65	878102	20	878172	25	878241	25
50	260.30	252.83	878103	20	878173	25	878242	25
51	265.30	257.75	878104	20	878174	25	878243	25
52	270.40	262.92	878105	20	878175	25	878244	25
53	275.40	267.86	878106	20	878176	25	878245	25
54	280.50	273.02	878107	20	878177	25	878246	25
55	285.50	277.96	878108	20	878178	25	878247	25
56	290.60	283.13	878109	25	878179	25	878248	25
57	296.00	288.07	878110	25	878180	25	878249	25
58	300.70	293.23	878111	25	878181	25	878250	25
59	305.70	298.17	878112	25	878182	25	878251	25
60	310.80	303.33	878113	25	878183	25	878252	25
62	321.40	313.43	878114	25	878184	25	878253	30
64	331.50	323.53	878115	25	878185	25	878254	30
65	336.50	328.49	878116	25	878186	25	878255	30
66	341.60	333.64	878117	25	878187	25	878256	30
68	351.70	343.74	878118	25	878188	25	878257	30
70	361.80	353.84	878119	25	878189	25	878258	30
72	371.90	363.94	878120	25	878190	25	878259	30
75	387.10	379.02	878121	25	878191	25	878260	30
76	392.10	384.15	878122	25	878192	25	878261	30
78	402.20	394.25	878123	25	878193	25	878262	30
80	412.30	404.36	878124	25	878194	25	878263	30
85	437.60	429.55	878125	30	878195	30	878264	30
90	462.80	454.88	878126	30	878196	30	878265	30
95	488.50	480.07	878127	30	878197	30	878266	30
100	513.40	505.40	878128	30	878198	30	878267	30
110	563.90	555.92	878129	30	878199	30	878268	30
114	584.10	576.13	878130	30	878200	30	878269	30
120	614.40	606.45	878131	30	878201	30	878270	30
125	639.70	631.66	-	-	878202	30	878271	30

12B PLATEWHEELS



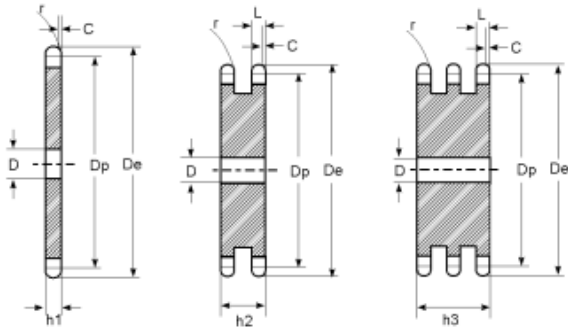
Common dimensions (mm) (unless shown)	
Chain pitch x width	3/4" x 7/16"
Radius width C	2
Tooth radius r	19
Tooth width h1	11.1
Tooth width h2	30.3
Tooth width h3	49.8
Tooth width L	10.8
Material	C45 steel unless shown

DIN 8187-ISO/R 606

No. teeth	De	Dp	Simplex		Duplex		Triplex	
			RE code	D	RE code	D	RE code	D
8	57.60	49.78	878272	10	878336	12	878408	12
9	62.00	54.85	878273	10	878337	12	878409	12
10	69.00	61.65	878274	10	878338	12	878410	12
11	75.00	66.93	878275	12	878339	14	878411	16
12	81.50	73.60	866194	14	878340	14	878412	16
13	87.50	79.59	866195	14	878341	14	878413	16
14	93.60	85.61	866196	14	878342	14	878414	16
15	99.80	91.63	866197	14	878343	14	878415	16
16	105.50	97.65	878276	14	878344	16	866202	16
17	111.50	103.23	878277	14	878345	16	866203	16
18	118.00	109.71	878278	14	878346	16	878416	16
19	124.20	115.75	866198	16	878347	16	878417	16
20	129.70	121.78	878279	14	878348	16	878418	16
21	136.00	127.82	866199	16	878349	16	878419	20
22	141.80	133.86	878280	16	878350	16	878420	20
23	149.00	139.58	878281	16	878351	16	878421	20
24	153.90	145.95	878282	16	878352	16	878422	20
25	160.00	152.00	866200	16	878353	16	878423	20
26	165.90	158.04	878283	16	878354	20	878424	20
27	172.30	163.81	878284	16	878355	20	878425	20
28	178.00	170.14	878285	16	878356	20	878426	20
29	184.10	176.19	866201	16	878357	20	878427	20
30	190.50	182.25	878286	16	878358	20	878428	20
31	196.30	188.06	878287	20	878359	20	878429	25
32	203.30	194.35	878288	20	878360	20	878430	25
33	209.30	200.18	878289	20	878361	20	878431	25
34	214.60	206.46	878290	20	878362	20	878432	25
35	221.00	212.30	878291	20	878363	20	878433	25
36	226.80	218.57	878292	20	878364	25	878434	25
37	232.90	224.43	878293	20	878365	25	878435	25
38	239.00	230.69	878294	25	878366	25	878436	25
39	245.10	236.55	878295	20	878367	25	878437	25
40	251.30	242.80	878296	20	878368	25	878438	25
41	257.30	248.68	878297	25	878369	25	878439	25
42	264.50	254.92	878298	25	878370	25	878440	25
43	270.50	260.80	878299	25	878371	25	878441	25

No. teeth	De	Dp	Simplex		Duplex		Triplex	
			RE code	D	RE code	D	RE code	D
44	276.50	267.03	878300	25	878372	25	878442	25
45	282.50	272.93	878301	25	878373	25	878443	25
46	287.90	279.15	878302	25	878374	25	878444	25
47	294.00	285.05	878303	25	878375	25	878445	25
48	300.10	291.27	878304	25	878376	25	878446	25
49	306.20	297.18	878305	25	878377	25	878447	25
50	312.30	303.39	878306	25	878378	25	878448	25
51	318.40	309.30	878307	25	878379	25	878449	25
52	324.50	315.51	878308	25	878380	25	878450	25
53	330.50	321.43	878309	25	878381	25	878451	25
54	336.60	327.63	878310	25	878382	25	878452	25
55	342.70	333.55	878311	25	878383	25	878453	25
56	348.70	339.75	878312	25	878384	25	878454	30
57	355.40	345.68	878313	25	878385	25	878455	30
58	361.50	351.87	878314	25	878386	25	878456	30
59	367.50	357.81	878315	25	878387	25	878457	30
60	373.00	363.99	878316	25	878388	25	878458	30
62	385.10	376.12	878317	25	878389	30	878459	30
64	397.20	388.24	878318	25	878390	30	878460	30
65	403.20	394.19	878319	25	878391	30	878461	30
66	409.30	400.36	878320	30	878392	30	878462	30
68	421.40	412.49	878321	30	878393	30	878463	30
70	433.60	424.61	878322	30	878394	30	878464	30
72	447.00	436.73	878323	30	878395	30	878465	30
75	463.90	454.82	878324	30	878396	30	878466	30
76	469.90	460.98	878325	30	878397	30	878467	30
78	482.10	473.10	878326	30	878398	30	878468	30
80	494.20	485.23	878327	30	878399	30	878469	30
85	524.50	515.45	878328	30	878400	30	878470	30
90	554.80	545.85	878329	30	878401	30	878471	30
95	585.10	576.09	878330	30	878402	30	878472	30
100	615.40	606.48	878331	30	878403	30	878473	30
110	676.10	667.11	878332	30	878404	30	878474	30
114	700.60	691.36	878333	30	878405	30	878475	30
120	736.70	727.74	878334	30	878406	30	878476	30
125	767.00	758.00	878335	30	878407	30	878477	30

16B PLATEWHEELS



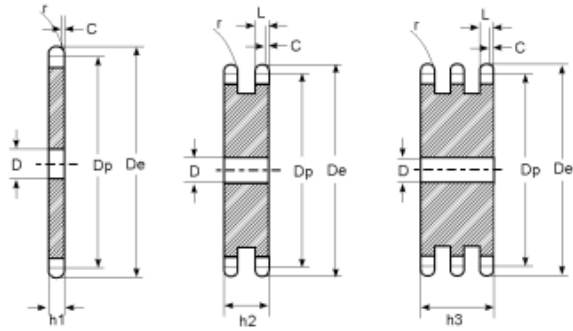
Common dimensions (mm) (unless shown)	
Chain pitch x width	1" x 17.02mm
Radius width C	2.5
Tooth radius r	26
Tooth width h1	16.2
Tooth width h2	47.7
Tooth width h3	79.6
Tooth width L	15.8
Material	C45 steel unless shown

DIN 8187-ISO/R 606

No. teeth	De	Dp	Simplex		Duplex		Triplex	
			RE code	D	RE code	D	RE code	D
8	77.00	66.37	866204	12	878544	16	878607	16
9	85.00	73.14	878478	12	878545	16	878608	16
10	93.00	82.19	866205	15	878546	16	878609	16
11	101.50	89.24	878479	16	878547	20	878610	20
12	109.00	98.14	866206	15	878548	20	878611	20
13	117.00	105.36	878480	16	878549	20	878612	20
14	125.00	114.15	878481	16	878550	20	878613	20
15	133.00	122.17	866207	15	878551	20	878614	20
16	141.00	130.20	878482	20	878552	20	878615	25
17	149.00	138.22	866208	19	878553	20	878616	25
18	157.00	146.27	878483	20	878554	20	878617	25
19	165.20	153.79	878484	20	878555	20	878618	25
20	173.20	162.37	878485	20	878556	20	878619	25
21	181.20	169.94	878486	20	878557	25	878620	25
22	189.30	178.48	878487	20	878558	25	878621	25
23	197.50	186.10	878488	20	878559	25	878622	25
24	205.50	194.60	878489	20	878560	25	878623	25
25	213.50	202.66	866209	20	878561	25	878624	25
26	221.60	210.72	878490	20	878562	25	878625	30
27	229.60	218.42	878491	20	878563	25	878626	30
28	237.70	226.86	878492	20	878564	25	878627	30
29	245.80	234.58	878493	20	878565	25	878628	30
30	254.00	243.00	878494	20	878566	25	878629	30
31	262.00	250.74	878495	25	878567	25	878630	30
32	270.00	259.14	878496	25	878568	25	878631	30
33	278.50	266.91	878497	25	878569	25	878632	30
34	287.00	275.29	878498	25	878570	25	878633	30
35	296.20	283.07	878499	25	878571	25	878634	30
36	304.60	291.43	878500	25	878572	25	878635	30
37	312.60	299.24	878501	25	878573	25	878636	30
38	320.70	307.58	878502	25	878574	25	878637	30
39	328.80	315.40	878503	25	878575	25	878638	30
40	336.90	323.74	878504	25	878576	25	878639	30
41	345.00	331.57	878505	25	878577	25	-	-
42	353.00	339.89	878506	25	878578	25	878640	30
43	361.10	347.74	878507	25	878579	25	-	-

No. teeth	De	Dp	Simplex		Duplex		Triplex	
			RE code	D	RE code	D	RE code	D
44	369.10	356.04	878508	25	878579	25	878641	30
45	377.10	363.90	878509	25	878580	25	878642	30
46	385.20	372.20	878510	25	878581	25	878643	30
47	393.20	380.07	878511	25	-	-	-	-
48	401.30	388.36	878512	25	878582	25	878644	30
49	409.30	396.24	878513	25	-	-	-	-
50	417.40	404.52	878514	25	878583	25	878645	30
51	425.50	412.40	878515	30	878584	30	878646	40
52	433.60	420.68	878516	30	878585	30	878647	40
53	441.70	428.57	878517	30	-	-	-	-
54	448.30	436.84	878518	30	-	-	-	-
55	457.90	444.74	878519	30	878586	30	878648	40
56	466.00	453.00	878520	30	878587	30	-	-
57	474.00	460.91	878521	30	878588	30	878649	40
58	482.10	469.16	878522	30	-	-	-	-
59	490.20	477.08	878523	30	-	-	-	-
60	498.30	485.33	878524	30	878589	30	878650	40
62	514.50	501.49	878525	30	878590	30	-	-
64	530.70	517.65	878526	30	-	-	-	-
65	538.80	525.58	878527	30	878591	30	878651	40
66	546.80	533.82	878528	30	-	-	-	-
68	562.90	549.98	878529	30	878593	30	878652	40
70	579.20	566.15	878530	30	878594	30	878653	40
72	595.40	582.31	878531	30	878595	30	878654	40
75	619.70	606.43	878532	30	878596	30	878655	40
76	627.00	614.64	878533	30	878597	30	878656	40
78	643.30	630.81	878534	30	-	-	-	-
80	660.00	646.97	878535	30	878598	30	878657	40
85	699.90	687.27	878536	30	878599	30	878658	40
90	740.30	727.80	878537	30	878600	30	878659	40
95	781.10	768.12	878538	30	878601	30	878660	40
100	821.10	808.64	878539	30	878602	30	878661	40
110	902.00	889.48	878540	30	878603	30	878662	40
114	934.30	921.81	878541	30	878604	40	878663	40
120	982.80	970.32	878542	30	878605	40	878664	40
125	1023.30	1010.66	878543	30	878606	40	878665	40

20B PLATEWHEELS

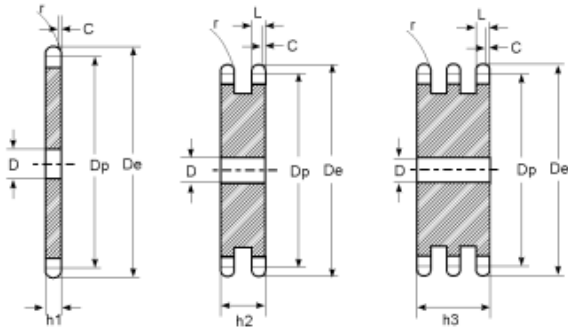


Common dimensions (mm) (unless shown)	
Chain pitch x width	1"1/4 x 3/4"
Radius width C	3.5
Tooth radius r	32
Tooth width h1	18.5
Tooth width h2	54.6
Tooth width h3	91
Tooth width L	18.2
Material	C45 steel unless shown

DIN 8187-ISO/R 606

No. teeth	De	Dp	Simplex		Duplex		Triplex	
			RE code	D	RE code	D	RE code	D
8	98.10	82.97	878666	16	878734	20	878782	20
9	108.00	91.42	878667	16	878735	20	878783	20
10	117.90	102.75	878668	16	878736	20	878784	20
11	127.80	111.55	878669	16	878737	20	878785	20
12	137.80	122.67	878670	20	878738	20	878786	20
13	147.80	131.70	878671	20	878739	20	878787	20
14	157.80	142.68	878672	20	878740	20	878788	20
15	167.90	151.88	878673	20	878741	20	878789	20
16	177.90	162.74	878674	20	878742	25	878790	25
17	187.90	172.05	878675	20	878743	25	878791	25
18	198.00	182.84	878676	20	878744	25	878792	25
19	208.10	192.24	878677	20	878745	25	878793	25
20	218.10	202.96	878678	20	878746	25	878794	25
21	228.20	212.43	878679	25	878747	25	878795	25
22	238.30	223.10	878680	25	878748	25	878796	25
23	248.30	232.63	878681	25	878749	25	878797	25
24	258.40	243.25	878682	25	878750	25	878798	25
25	268.50	252.83	878683	25	878751	25	878799	25
26	278.60	263.40	878684	25	878752	25	878800	25
27	288.60	273.02	878685	25	878753	25	878801	25
28	298.70	283.57	878686	25	878754	25	878802	25
29	308.80	293.23	878687	25	878755	25	878803	25
30	318.90	303.75	878688	25	878756	25	878804	25
31	329.00	313.43	878689	25	878757	25	878805	30
32	339.10	323.92	878690	25	878758	25	878806	30
33	349.20	333.64	878691	25	878759	25	878807	30
34	359.30	344.11	878692	25	878760	25	878808	30
35	369.40	353.84	878693	25	878761	25	878809	30
36	379.50	364.29	878694	25	878762	30	878810	30
37	389.50	374.05	878695	25	878763	30	878811	30
38	399.60	384.48	878696	25	878764	30	878812	30
39	409.70	394.25	878697	25	878765	30	878813	30
40	419.80	404.67	878698	25	878766	30	878814	30
41	429.90	414.46	878699	30	878767	30	878815	40
42	440.00	424.86	878700	30	878767	30	878815	40
43	270.50	260.80	878299	25	878371	25	878441	25

No. teeth	De	Dp	Simplex		Duplex		Triplex	
			RE code	D	RE code	D	RE code	D
43	450.10	434.67	878701	30	-	-	-	-
44	460.20	445.06	878702	30	-	-	-	-
45	470.30	454.88	878703	30	878768	30	878816	40
46	480.40	465.25	878704	30	878769	30	878817	40
47	490.50	475.09	878705	30	-	-	-	-
48	500.60	485.45	878706	30	878770	30	878818	40
49	510.70	495.30	878707	30	-	-	-	-
50	520.80	505.65	878708	30	878771	30	878819	40
51	530.90	515.51	878709	30	-	-	-	-
52	541.00	525.85	878710	30	878772	30	878820	40
53	551.10	535.71	878711	30	-	-	-	-
54	561.20	546.05	878712	30	-	-	-	-
55	571.30	555.92	878713	30	878773	30	878821	40
56	581.40	566.25	878714	30	-	-	-	-
57	591.50	576.14	878715	30	878774	30	878822	40
58	601.60	586.45	878716	30	-	-	-	-
59	611.70	596.34	878717	30	-	-	-	-
60	621.80	606.66	878718	30	878775	30	878823	40
62	642.00	626.86	878719	30	-	-	-	-
64	662.20	647.07	878720	30	-	-	-	-
65	672.30	656.98	878721	30	878776	30	878824	40
66	682.40	667.27	878722	30	-	-	-	-
68	702.60	687.48	878723	30	-	-	-	-
70	722.80	707.68	878724	30	878777	30	878825	40
72	743.10	727.89	878725	30	-	-	-	-
75	773.30	758.03	878726	30	-	-	-	-
76	783.30	768.30	878727	30	878778	30	878826	40
80	823.90	808.71	878728	30	878779	30	878827	40
85	874.40	859.09	878729	30	-	-	-	-
90	924.90	909.75	878730	30	-	-	-	-
95	975.20	960.15	878731	30	878780	30	878828	40
100	1026.00	1010.80	878732	30	-	-	-	-
114	1167.40	1152.27	878733	30	878781	40	878829	40



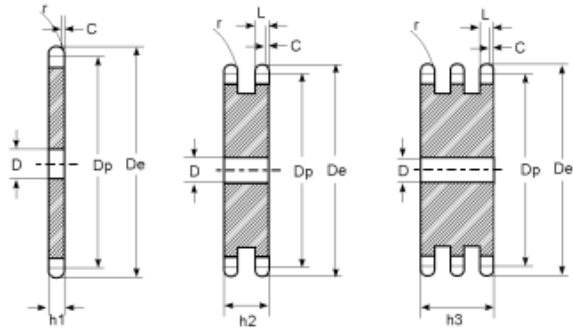
Common dimensions (mm) (unless shown)	
Chain pitch x width	1"1/2 x 1"
Radius width C	4
Tooth radius r	38
Tooth width h1	24.1
Tooth width h2	72
Tooth width h3	120.3
Tooth width L	23.6
Material	C45 steel unless shown

DIN 8187-ISO/R 606

No. teeth	De	Dp	Simplex		Duplex		Triplex	
			RE code	D	RE code	D	RE code	D
8	115.00	99.56	878830	20	878895	25	878938	25
9	126.40	109.70	878831	20	878896	25	878939	25
10	138.00	123.29	878832	20	878897	25	878940	25
11	150.00	133.86	878833	20	878898	25	878941	25
12	162.00	147.21	878834	20	878899	25	878942	25
13	174.20	158.04	878835	20	878900	25	878943	25
14	186.20	171.22	878836	20	878901	25	878944	25
15	198.20	182.26	878837	20	878902	25	878945	25
16	210.30	195.29	878838	25	878903	25	878946	25
17	222.30	206.46	878839	25	878904	25	878947	25
18	234.30	219.41	878840	25	878905	25	878948	25
19	246.50	230.69	878841	25	878906	25	878949	25
20	258.60	243.55	878842	25	878907	25	878950	25
21	270.60	254.92	878843	25	878908	25	878951	25
22	282.70	267.72	878844	25	878909	25	878952	25
23	294.80	279.15	878845	25	878910	25	878953	25
24	306.80	291.90	878846	25	878911	25	878954	25
25	319.00	303.39	878847	25	878912	25	878955	25
26	331.00	316.09	878848	30	878913	30	878956	30
27	343.20	327.63	878849	30	878914	30	878957	30
28	355.20	340.29	878850	30	878915	30	878958	30
29	367.30	351.87	878851	30	878916	30	878959	30
30	379.50	364.50	878852	30	878917	30	878960	30
31	391.60	376.12	878853	30	878918	30	878961	30
32	403.70	388.71	878854	30	878919	30	878962	30
33	415.80	400.36	878855	30	878920	30	878963	30
34	427.80	412.93	878856	30	878921	30	878964	30
35	440.00	424.61	878857	30	878922	30	878965	30
36	452.00	437.15	878858	30	878923	30	878966	30
37	464.20	448.86	878859	30	878924	30	878967	30
38	476.20	461.38	878860	30	878925	30	878968	30
39	488.50	473.10	878861	30	878926	30	878969	30
40	500.60	485.60	878862	30	878927	30	878970	30

No. teeth	De	Dp	Simplex		Duplex		Triplex	
			RE code	D	RE code	D	RE code	D
41	512.60	497.35	878863	30	-	-	-	-
42	524.70	509.84	878864	30	878928	40	878971	40
43	536.80	521.60	878865	30	-	-	-	-
44	549.00	534.07	878866	30	-	-	-	-
45	561.20	545.85	878867	30	878929	40	878972	40
46	573.30	558.30	878868	30	878930	40	878973	40
47	585.40	570.11	878869	30	-	-	-	-
48	597.40	582.54	878870	30	878931	40	878974	40
49	609.50	594.36	878871	30	-	-	-	-
50	621.70	606.78	878872	30	878932	40	878975	40
51	633.80	618.61	878873	30	-	-	-	-
52	646.00	631.02	878874	30	-	-	-	-
53	658.00	642.86	878875	30	-	-	-	-
54	670.20	655.26	878876	30	-	-	-	-
55	682.30	667.11	878877	30	878933	40	878976	40
56	694.40	679.50	878878	30	-	-	-	-
57	706.50	691.36	878879	30	878934	40	878977	40
58	718.60	703.75	878880	30	-	-	-	-
59	730.70	715.61	878881	30	-	-	-	-
60	742.80	727.99	878882	30	878935	40	878978	40
62	767.20	752.23	878883	40	-	-	-	-
64	791.30	776.48	878884	40	-	-	-	-
65	803.40	788.37	878885	40	878936	40	878979	40
66	815.60	800.72	878886	40	-	-	-	-
68	839.80	824.97	878887	40	-	-	-	-
70	864.20	849.22	878888	40	-	-	-	-
72	888.40	873.47	878889	40	-	-	-	-
75	924.80	909.64	878890	40	-	-	-	-
76	936.90	921.96	878891	40	878937	40	878980	40
80	985.40	970.46	878892	40	-	-	-	-
85	1046.00	1030.91	878893	40	-	-	-	-
95	1167.30	1152.17	878894	40	-	-	-	-

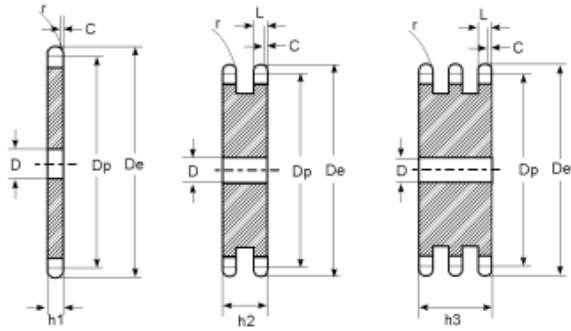
28B PLATEWHEELS



Common dimensions (mm) (unless shown)	
Chain pitch x width	1"3/4 x 1"1/4
Radius width C	5
Tooth radius r	44
Tooth width h1	29.4
Tooth width h2	88.4
Tooth width h3	148
Tooth width L	28.8
Material	C45 steel unless shown

DIN 8187-ISO/R 606

No. teeth	De	Dp	Simplex		Duplex		Triplex	
			RE code	D	RE code	D	RE code	D
8	132.00	116.15	878981	20	879019	25	879057	25
9	148.40	127.99	878982	20	879020	25	879058	25
10	162.30	143.84	878983	25	879021	25	879059	30
11	176.30	156.17	878984	25	879022	25	879060	30
12	189.50	171.74	878985	25	879023	25	879061	30
13	204.20	184.38	878986	25	879024	25	879062	30
14	218.20	199.76	878987	25	879025	25	879063	30
15	232.30	212.64	878988	25	879026	25	879064	30
16	246.30	227.84	878989	30	879027	30	879065	30
17	260.30	240.87	878990	30	879028	30	879066	30
18	274.00	255.98	878991	30	879029	30	879067	30
19	289.00	269.14	878992	30	879030	30	879068	30
20	303.00	284.15	878993	30	879031	30	879069	30
21	317.00	297.40	878994	30	879032	30	879070	30
22	331.00	312.34	878995	30	879033	30	879071	30
23	345.00	325.68	878996	30	879034	30	879072	30
24	359.00	340.54	878997	30	879035	30	879073	30
25	373.00	353.96	878998	30	879036	30	879074	40
26	387.00	368.77	878999	30	879037	30	879075	40
27	401.40	382.23	879000	30	879038	30	879076	40
28	416.00	397.00	879001	30	879039	30	879077	40
29	430.00	410.52	879002	30	879040	30	879078	40
30	444.00	425.24	879003	30	879041	30	879079	40
31	458.00	438.80	879004	30	879042	30	879080	40
32	472.00	453.49	879005	30	879043	30	879081	40
33	486.00	467.09	879006	30	879044	30	879082	40
34	500.00	481.75	879007	30	879045	30	879083	40
35	514.00	495.38	879008	30	879046	30	879084	40
36	529.00	510.01	879009	30	879047	30	879085	40
37	543.00	523.67	879010	30	879048	30	879086	40
38	557.00	538.27	879011	30	879049	30	879087	40
39	571.00	551.95	879012	30	879050	30	879088	40
40	585.00	566.54	879013	30	879051	30	879089	40
45	656.00	636.83	879014	30	879052	30	879090	40
50	726.00	707.91	879015	30	879053	30	879091	40
57	825.00	806.59	879016	30	879054	30	879092	40
60	869.00	849.32	879017	30	879055	30	879093	40
76	1095.00	1075.62	879018	30	879056	30	879094	40



Common dimensions (mm) (unless shown)	
Chain pitch x width	2" x 1 1/4"
Radius width C	6
Tooth radius r	51
Tooth width h1	29.4
Tooth width h2	87.4
Tooth width h3	146
Tooth width L	28.8
Material	C45 steel unless shown

DIN 8187-ISO/R 606

No. teeth	De	Dp	Simplex		Duplex		Triplex	
			RE code	D	RE code	D	RE code	D
8	153.20	132.75	879095	25	879127	25	879158	25
9	169.00	146.27	879096	25	879128	25	879159	25
10	185.00	164.39	879097	25	879129	25	879160	25
11	200.80	178.48	879098	30	879130	30	879161	30
12	216.80	196.28	879099	30	879131	30	879162	30
13	232.80	210.72	879100	30	879132	30	879163	30
14	248.80	228.30	879101	30	879133	30	879164	30
15	264.80	243.01	879102	30	879134	30	879165	30
16	280.90	260.39	879103	30	879135	30	879166	30
17	296.90	275.29	879104	30	879136	30	879167	30
18	313.00	292.55	879105	30	879137	30	879168	30
19	329.10	307.58	879106	30	879138	30	879169	30
20	345.20	324.74	879107	30	879139	30	879170	30
21	361.30	339.89	879108	30	879140	30	879171	40
22	377.50	356.96	879109	30	879141	30	879172	40
23	393.60	372.20	879110	30	879142	30	879173	40
24	409.70	389.19	879111	30	879143	30	879174	40
25	425.80	404.52	879112	30	879144	30	879175	40
26	441.90	421.45	879113	30	879145	30	879176	40
27	458.10	436.84	879114	30	879146	30	879177	40
28	474.20	453.72	879115	30	879147	30	879178	40
29	490.40	469.16	879116	30	879148	30	879179	40
30	506.50	485.99	879117	30	879149	30	879180	40
32	538.80	518.28	879118	30	-	-	-	-
35	589.50	566.15	879119	30	879150	30	879181	40
38	635.50	615.17	879120	30	879151	30	879182	40
40	670.30	647.47	879121	40	879152	40	879183	40
45	751.00	727.81	879122	40	879153	40	879184	40
50	831.80	809.04	879123	40	879154	40	879185	40
57	945.00	921.82	879124	40	879155	40	879186	40
60	993.40	970.65	879125	40	879156	40	879187	40
76	1252.00	1229.28	879126	40	879157	40	879188	40

HARDENED TEETH SPROCKETS

Mecaline offer a range of flame hardened tooth sprockets in both pilot bore and taper bore versions.

Hardened teeth sprockets - pilot bore type															
No. teeth	04-1	05B-1	05B-2	06B-1	06B-2	06B-3	08B-1	08B-2	08B-3	10B-1	10B-2	10B-3	12B-1	12B-2	12B-3
8	886881	886892	-	886919	886952	-	886991	887026	-	887078	-	-	887143	-	-
9	886882	886893	-	886920	886953	-	886992	887027	-	-	-	-	-	-	887205
10	886883	886894	-	886921	886954	886973	886993	-	-	-	-	-	887144	887178	-
11	-	886895	-	886922	886955	886974	886994	887028	887057	887079	887108	887128	887145	887179	887206
12	886884	886896	-	886923	886956	886975	886995	-	-	887080	887109	-	887146	887180	887207
13	886885	886897	-	886924	886957	886976	886996	887029	887058	887081	887110	887129	887147	887181	887208
14	-	886898	-	886925	886958	-	886997	887030	887059	887082	-	-	887148	-	887209
15	886886	886899	-	886926	886959	886977	886998	887031	887060	887083	887111	887130	887149	887182	887210
16	-	886900	-	886927	886960	886978	886999	887032	887061	887084	887112	-	887150	887183	887211
17	-	886901	886915	886928	886961	886979	887000	887033	887062	887085	887113	887131	887151	887184	887212
18	-	886902	-	886929	886962	-	887001	887034	887063	887086	887114	887132	887152	887185	887213
19	-	886903	-	886930	886963	886980	887002	887035	887064	887087	887115	887133	887153	887186	887214
20	-	886904	-	886931	886964	886981	887003	887036	887065	887088	887116	887134	887154	887187	887215
21	-	886905	886916	886932	886965	886982	887004	887037	887066	887089	887117	887135	887155	887188	887216
22	886887	886914	-	886933	-	-	887005	887038	-	887090	887118	-	887156	887189	887217
23	-	-	-	886934	-	886983	887006	887039	887067	887091	887119	887136	887157	887190	887218
24	-	886906	886917	886935	-	886984	887007	887040	887068	887092	887120	887137	887158	887191	-
25	-	886907	-	886936	-	-	887008	887041	887069	887093	887121	887138	887159	887192	-
26	-	-	-	886937	-	886985	887009	887042	-	887094	887122	-	887160	887193	-
27	-	-	-	886938	-	886986	887010	887043	-	887095	-	-	887161	887194	887219
28	-	886908	-	886939	-	-	887011	887044	-	887096	887123	-	887162	887195	-
29	-	-	-	886940	-	-	887012	887045	-	887097	887124	-	887163	887196	-
30	-	886909	-	886941	886966	886987	887013	887046	887070	887098	887125	887139	887164	887197	887220
31	-	-	-	886942	886967	-	887014	-	887071	887099	-	-	887165	887198	-
32	-	886910	-	886943	-	886988	887015	887047	887072	887100	887126	-	887166	887199	-
33	-	-	-	-	-	-	887016	887048	-	887101	-	-	887167	-	-
34	-	-	-	886944	886968	-	-	887049	-	-	-	-	887168	887200	887221
35	-	-	-	-	886969	-	887017	887050	-	887102	-	-	887169	-	-
36	-	886911	-	886945	-	-	887018	887051	887073	-	-	-	887170	-	-
37	-	-	-	886946	-	-	887019	-	887074	-	-	-	-	887201	-
38	-	-	-	886947	886970	886989	887020	887052	887075	887103	887127	-	887171	887202	-
39	-	-	-	-	-	-	887021	-	-	-	-	-	887172	-	-
40	886888	886912	-	886948	886971	-	887022	887053	-	887104	-	887140	887173	-	-
42	-	-	-	886949	-	-	887023	887054	-	-	-	-	-	-	-
45	-	886913	-	-	886972	-	887024	-	-	-	-	-	887174	-	-
48	-	-	-	-	-	-	-	-	-	887105	-	-	-	-	-
50	886889	-	-	-	-	-	-	-	-	-	-	-	887175	-	-
57	-	-	-	886950	-	-	-	-	887076	887106	-	887141	887176	887203	-
76	-	-	-	-	-	-	887025	887055	-	887107	-	-	887177	-	-
95	-	-	-	-	-	-	-	-	-	-	-	-	-	887204	-
114	886890	-	-	886951	-	-	-	887056	-	-	-	-	-	-	-

Hardened teeth sprockets - taper bore type															
No. teeth	06B-1	06B-2	06B-3	08B-1	08B-2	08B-3	10B-1	10B-2	10B-3	12B-1	12B-2	16B-1	16B-2	16B-3	20B-1
13	-	-	-	-	-	-	-	-	-	887478	-	887505	-	-	887532
14	-	-	-	-	-	-	887454	-	-	887479	-	887506	-	-	-
15	-	-	-	887427	887443	-	887455	-	-	887480	887486	887507	887522	-	-
16	-	-	-	887428	-	-	887456	-	-	887481	-	887508	-	-	-
17	887413	-	887424	887429	-	-	887457	887469	-	887482	887487	887509	887523	-	-
18	-	-	-	887430	-	-	887458	887470	-	887483	887488	887510	-	-	-
19	887414	887421	-	887431	887444	887450	887459	887471	887476	887484	-	887511	887524	-	887533
20	-	-	-	-	887445	-	887460	-	-	887485	-	887512	-	-	-
21	-	-	-	887432	887446	-	887461	887472	-	887489	-	887513	887525	887530	887534
22	-	-	-	887433	-	-	-	-	-	887490	-	-	887526	-	-
23	887415	887422	887425	887434	-	-	887462	-	-	887491	-	887514	-	-	-

HARDENED TEETH SPROCKETS

Hardened teeth sprockets - pilot bore type

No. teeth	16B-1	16B-2	16B-3	20B-1	20B-2	20B-3	24B-1	24B-2	24B-3	28B-1	28B-2	32B-1	32B-2	32B-3
8	887223	-	-	887295	-	-	887337	-	-	-	-	-	-	-
9	887224	-	-	-	-	-	-	-	-	-	-	-	-	-
10	887225	887257	-	-	-	-	887338	-	-	-	-	-	-	-
11	887226	887258	887281	887296	887313	887326	887339	887357	887371	-	-	887386	887397	887402
12	887227	887259	-	887297	887314	-	-	-	-	-	-	887387	-	-
13	887228	887260	887282	887298	887315	887327	887340	887358	887372	-	-	887388	887398	887403
14	887229	887261	-	887299	887316	-	887341	-	-	-	-	-	-	-
15	887230	887262	887283	887300	887317	887328	887342	887359	887373	-	-	887389	887399	887404
16	887231	887263	887284	887301	-	-	887343	-	-	-	-	-	-	-
17	887232	887264	887285	887302	887318	887329	887344	887360	887374	-	-	887390	887400	887405
18	887233	887265	-	887303	-	-	-	-	-	-	-	-	-	-
19	887234	887266	887286	887304	887319	887330	887345	887361	887375	-	-	887391	887401	887406
20	887235	887267	887287	887305	887320	887331	887346	887362	887376	-	-	887392	-	887407
21	887236	887268	887288	887306	887321	887332	887347	887363	887377	-	-	887393	-	887408
22	-	-	-	-	-	-	887348	887364	-	-	-	-	-	-
23	887237	887269	887289	887307	887322	887333	887349	887365	887378	-	887383	887394	-	887409
24	887238	-	887290	-	-	-	887350	-	-	-	-	-	-	-
25	887239	887270	887291	887308	887323	887334	887351	887366	887379	887382	887384	887395	-	887410
26	887240	887271	-	-	-	-	887352	887367	-	-	-	-	-	-
27	887241	887272	-	887309	-	-	-	-	-	-	-	-	-	-
28	887242	-	887292	-	-	-	-	-	-	-	-	-	-	-
29	887243	-	-	-	-	-	887353	-	-	-	-	-	-	-
30	887244	887273	887293	887310	887324	887335	887354	887368	887380	-	-	887396	-	887411
31	887245	887274	-	-	-	-	-	-	-	-	-	-	-	-
32	887246	887275	-	-	-	-	-	-	-	-	-	-	-	-
33	887247	-	-	887311	-	-	-	-	-	-	-	-	-	-
34	887248	-	-	-	-	-	887355	-	-	-	-	-	-	-
35	887249	-	-	-	887325	-	-	-	-	-	-	-	-	-
36	887250	-	-	-	-	-	-	-	-	-	-	-	-	-
37	887251	887276	-	-	-	-	-	-	-	-	-	-	-	-
38	887252	887277	-	-	-	-	887356	887369	-	-	-	-	-	-
39	887253	-	-	-	-	-	-	-	-	-	-	-	-	-
40	-	887278	-	-	-	-	-	-	-	-	-	-	-	-
42	-	-	-	-	-	-	-	-	-	-	-	-	-	-
45	887254	887279	-	-	-	-	-	-	-	-	-	-	-	-
48	887255	-	-	-	-	-	-	-	-	-	-	-	-	-
50	-	-	-	-	-	-	-	-	-	-	-	-	-	-
57	887256	887280	-	-	-	-	-	-	-	-	-	-	-	-
76	-	-	-	887312	-	-	-	887370	-	-	-	-	-	-
95	-	-	-	-	-	-	-	-	-	-	-	-	-	-
114	-	-	-	-	-	-	-	-	-	-	-	-	-	-

Hardened teeth sprockets - taper bore type

No. teeth	06B-1	06B-2	08B-1	08B-2	08B-3	10B-1	10B-2	12B-1	12B-2	12B-3	16B-1	16B-2	20B-1
24	887416	-	887435	-	-	-	-	887492	-	-	887515	-	-
25	887417	-	887436	887447	887451	887463	887473	887493	887497	-	887516	887527	-
26	-	-	-	-	-	887464	-	-	-	-	-	-	-
27	-	-	887437	-	-	887465	-	887494	-	-	887517	-	-
28	-	-	887438	-	-	-	887474	-	-	-	-	-	-
30	887418	-	887439	887448	-	887466	-	887495	887498	-	887518	-	-
38	887419	-	887440	887449	887452	887467	887475	-	887499	887503	887519	887528	887535
45	-	-	887441	-	-	887468	-	-	887500	-	887520	-	-
57	-	-	887442	-	-	-	-	-	-	-	887521	887529	-
76	887420	887423	-	-	-	-	-	887496	-	-	-	-	-
95	-	-	-	-	-	-	-	-	887501	-	-	-	-

Installation, fitting, and removal of taper bushes to pulleys and sprockets

Before you begin any maintenance work, check the machine is switched off and machine components are secured in a locked position to prevent unexpected movement and potential injury to you or others.

Prior to any installation, ensure all components are wiped down and cleaned from any dirt, residue or oil. Confirm that the pulleys are undamaged checking pulley is right size for the application required.

Installation and fitting:

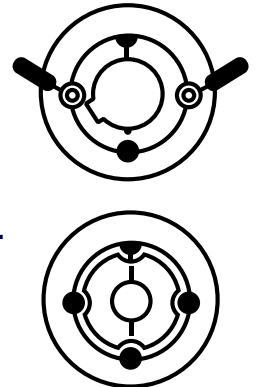
1

Insert the Mecaline taper bush into the hub so that the connecting bores are all lined up ensuring grub screw holes all line up. Then, loosely place screws in the threaded holes.

Tip: A small amount of oil should be applied in the thread and under the cap screw heads.

To fit a key, place it in the shaft keyway before fitting the taper bush. Ensure that the key has top clearance, is parallel and has side fitting (do not use taper or top fitting keys).

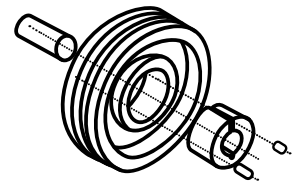
If you are not fitting a key, position the keyways on the taper bush and hub opposite to each other.



2

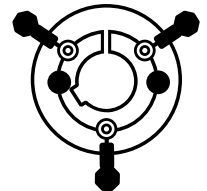
Clean and degrease the shaft. Fit hub and taper bush together onto the shaft so that it fits in the desired position.

Tip: The bush will nip the shaft first and then draw the hub slightly on to the bush.



3

Tighten the screws gradually using a hexagon wrench, alternating between them until desired torque setting shown in table below. Hammer the large end of the taper bush using a block or sleeve to avoid damage and ensure the bush is seated squarely in the bore. Screws will turn a little more.



4

Repeat alternate hammering and tightening until the maximum grip, or tightening torque, is achieved.

5

After running the loaded drive for a short while, stop to check screw tightness.

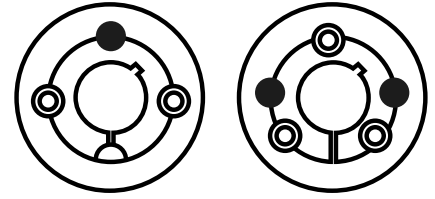
6

Fill any empty holes with grease to prevent dirt build up and corrosion.

Removal:

1

Loosen all screws and remove from bush.



2

Apply a little amount of oil to the screws and insert one grub screw or two cap head screws into the removal holes.

3

Tighten the screws alternately until the assembly slackens in the hub.

Tip: If the taper bush doesn't loosen, try tapping the hub lightly.

4

Remove the assembled hub and taper bush from the shaft.

Bush size series	Screw tightening torque (Nm)	No of screws	Hex socket size (mm)	Large end diameter (mm)	Bush length (mm)	Approx mass (Kg)
1008	5.6	2	3	35	22.3	0.1
1108	5.6	2	3	38	22.3	0.1
1210	20	2	5	47.5	25.4	0.2
1610	20	2	5	57	25.4	0.3
1615	20	2	5	57	38.1	0.5
2012	30	2	6	70	31.8	0.7
2517	50	2	6	85.5	44.5	1.5
3020	90	2	8	108	50.8	2.7
3030	90	2	8	108	76.2	3.65
3525	115	3	10	127	63.5	3.9
3535	115	3	10	127	89	5.1
4030	170	3	12	146	76.2	5.6
4040	170	3	12	146	102	7.8
4535	190	3	14	162	89	7.6
4545	190	3	14	162	114	10
5040	270	3	14	178	102	11.2
5050	270	3	14	17	127	14



Mecaline *Integrated Movement*

www.mecalineparts.com

High-quality, high-performance components designed to fit seamlessly into your operations.



Europe

Rubix Engineering
61, Avenue Tony Garnier
69007 Lyon, France

United Kingdom

Brammer UK Limited
Dakota House, Concord Business Park
M22 0RR Manchester, UK